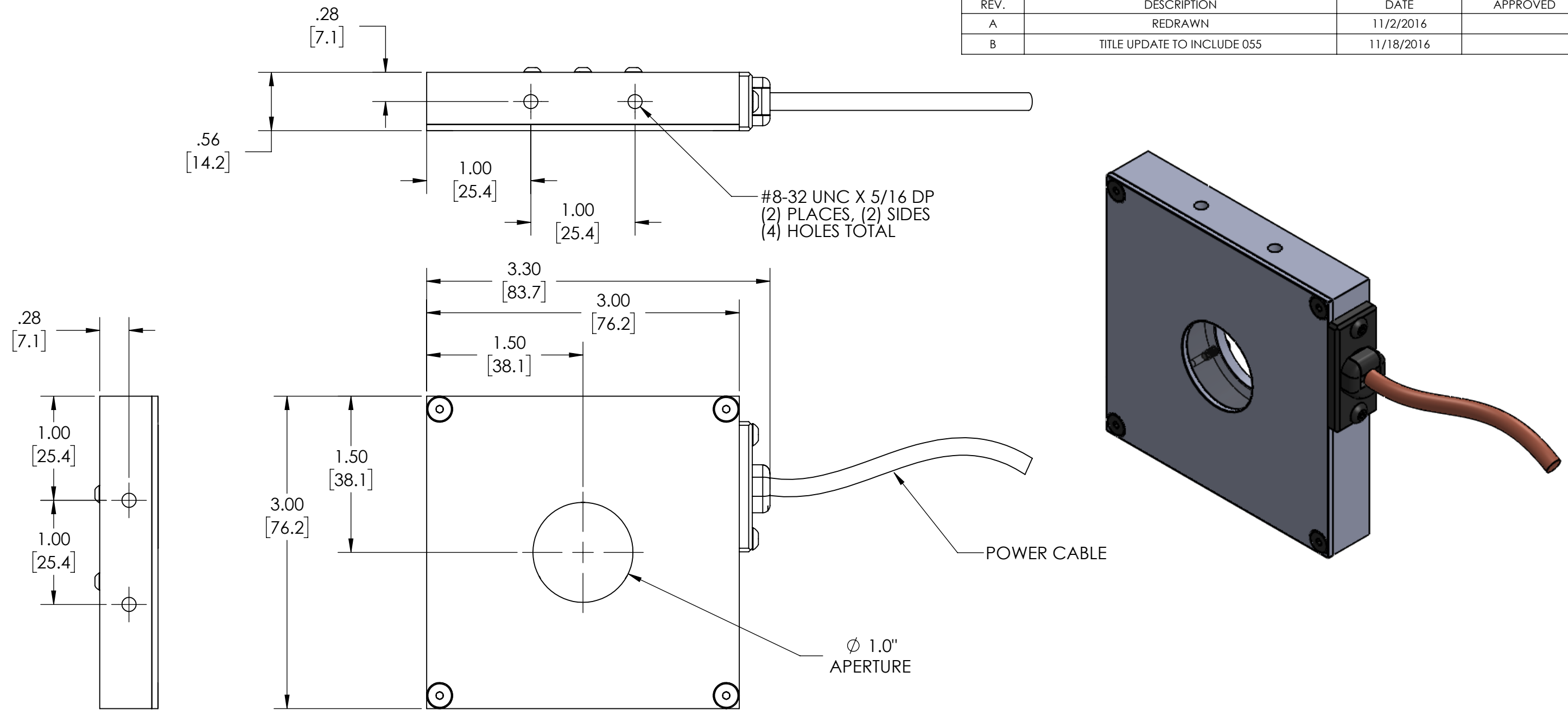


REVISIONS			
REV.	DESCRIPTION	DATE	APPROVED
A	REDRAWN	11/2/2016	
B	TITLE UPDATE TO INCLUDE 055	11/18/2016	



Metaphase Technologies, Inc. 211 Sinclair Road, Suite 100, Bristol, PA. 19007 215-639-8699 Fax 215-639-0977



QUANTITY: Per order

MATERIAL: See BOM

FINISH: As supplied

TREATMENT: N/A

TOLERANCE/FINISH
UNLESS OTHERWISE SPECIFIED

INCHES [MM]				125√RMS [RA3.2um]
X	.X	.XX	.XXX	ANGLES ±1°
[±.76]	±.030 [±.25]	±.010 [±.13]	±.005	

THIS DOCUMENT IS THE PROPERTY OF METAPHASE TECHNOLOGIES, INC. WHOM MAY LOAN IT, SUBJECT TO RETURN UPON DEMAND. IT INCLUDES CONFIDENTIAL & PROPRIETARY INFORMATION WHICH MAY NOT BE DISCLOSED TO ANY THIRD PARTY, AND/ OR USED FOR ANY PURPOSE CONTRARY TO IT'S INTENDED USE, WITHOUT THE EXPRESSED PRIOR WRITTEN CONSENT OF METAPHASE TECHNOLOGIES, INC.

TITLE
OFF AXIS RING LIGHT 1"

USED ON
PER CUSTOMER

SIZE B	DRAWING NUMBER OARL050 / 055	REV B
SCALE 1:1		SHEET 1 OF 1

Approval Signature

/ /
Date