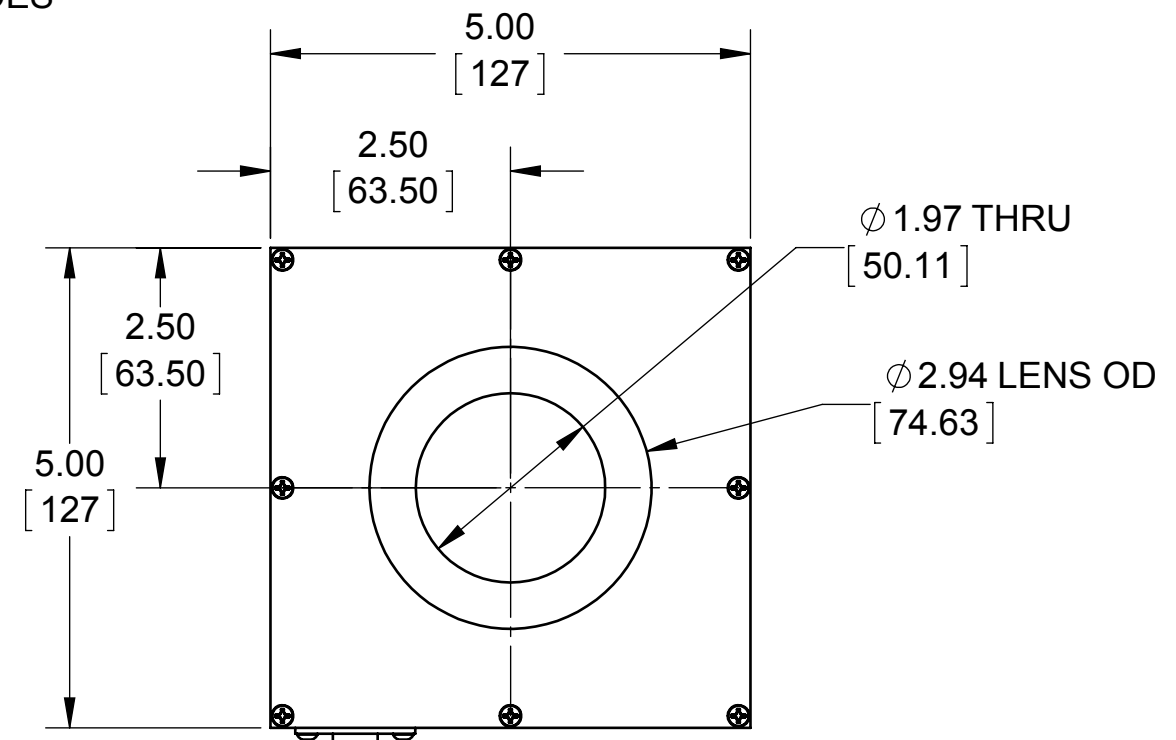
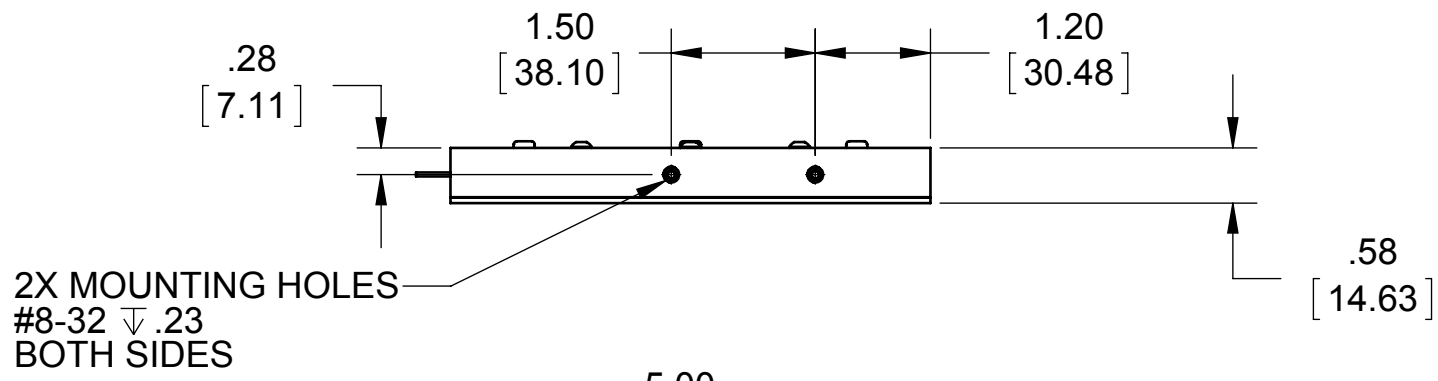
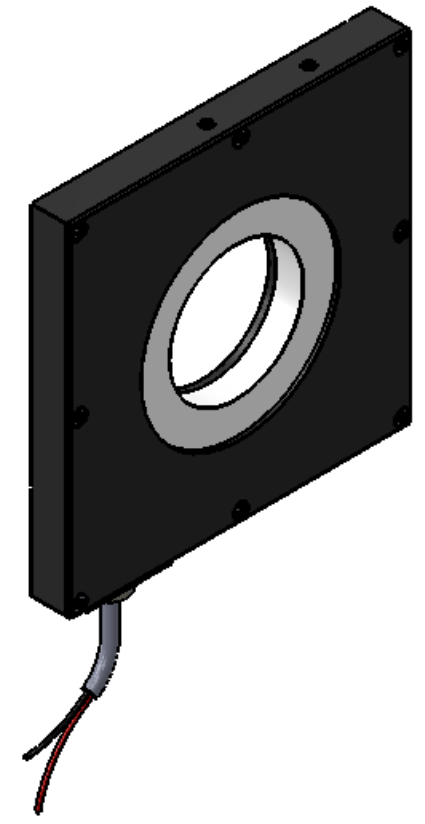


REVISIONS			
REV.	DESCRIPTION	DATE	APPROVED



POWER CABLE
18 AWG Stranded; 2 conductor
Teflon jacket w/ flying leads
10' Cut length



Metaphase Technologies, Inc. 211 Sinclair Road, Suite 100, Bristol, PA. 19007 215-639-8699 Fax 215-639-0977



QUANTITY: 1 per assy.
MATERIAL: See BOM
FINISH: Black Anodize; Acrylic
TREATMENT: N/A

TOLERANCE/FINISH UNLESS OTHERWISE SPECIFIED				
INCHES[MM]				125V RMS
X	.X	.XX	.XXX	[RA3.2um]
[±.76]	±.030 [+.25]	±.010 [+.13]	±.005	ANGLES±1°

THIS DOCUMENT IS THE PROPERTY OF METAPHASE TECHNOLOGIES, INC. WHOM MAY LOAN IT, SUBJECT TO RETURN UPON DEMAND. IT INCLUDES CONFIDENTIAL & PROPRIETARY INFORMATION WHICH MAY NOT BE DISCLOSED TO ANY THIRD PARTY, AND/ OR USED FOR ANY PURPOSE CONTRARY TO IT'S INTENDED USE, WITHOUT THE EXPRESSED PRIOR WRITTEN CONSENT OF METAPHASE TECHNOLOGIES, INC.

TITLE
RING LIGHT, OFF AXIS, 2 DIA.
USED ON
Per Customer
SIZE B **DRAWING NUMBER** OARL101-1 **REV** A
SCALE 1:2 SHEET 1 OF 3

Approval Signature _____ Date ____/____/____