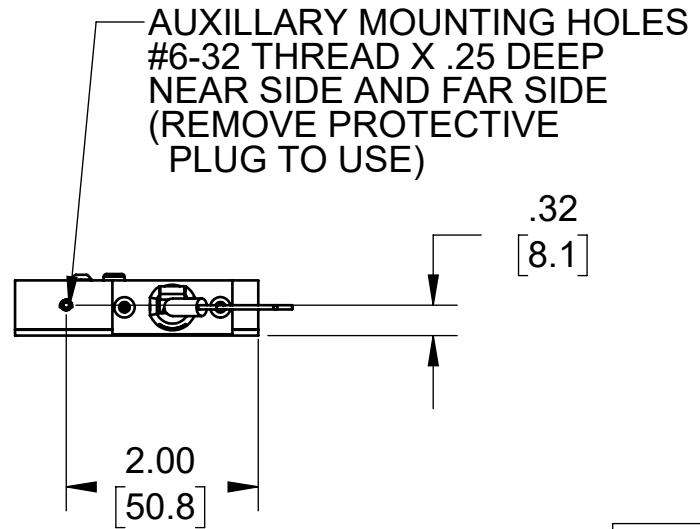
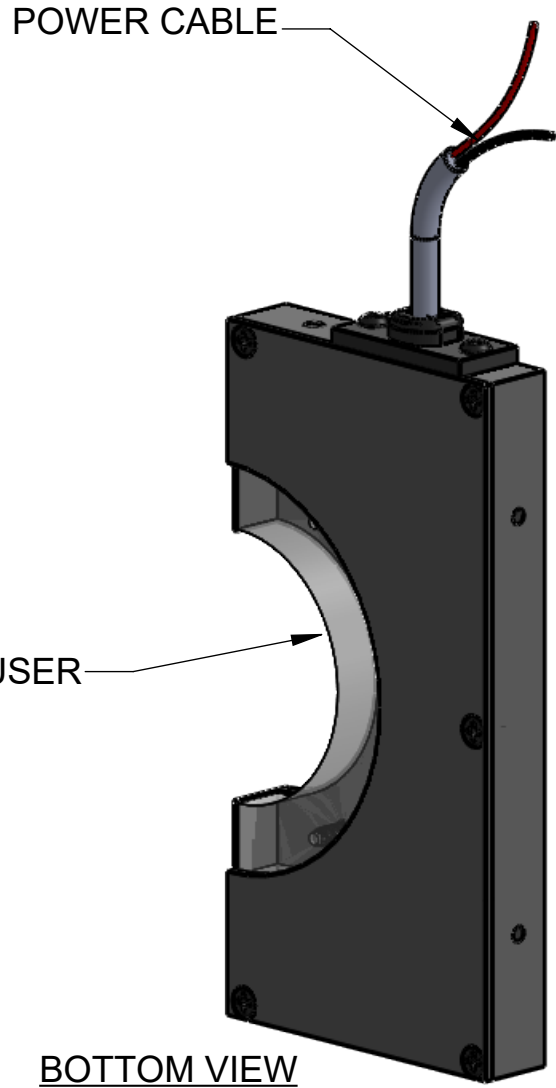
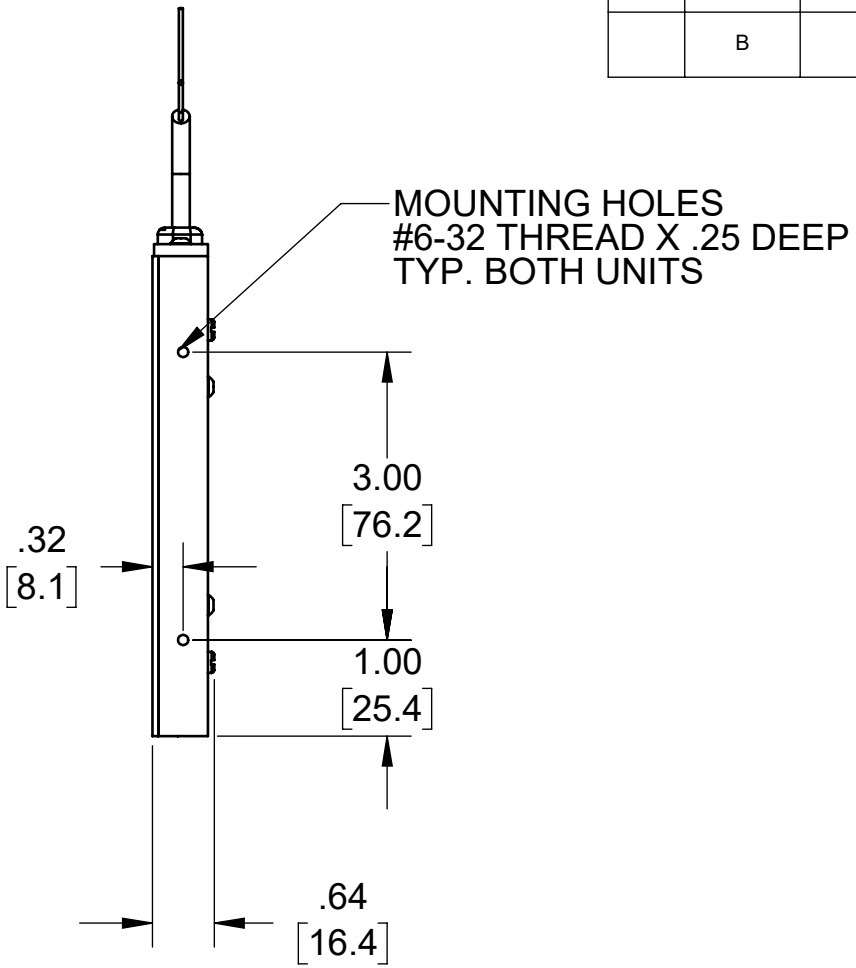
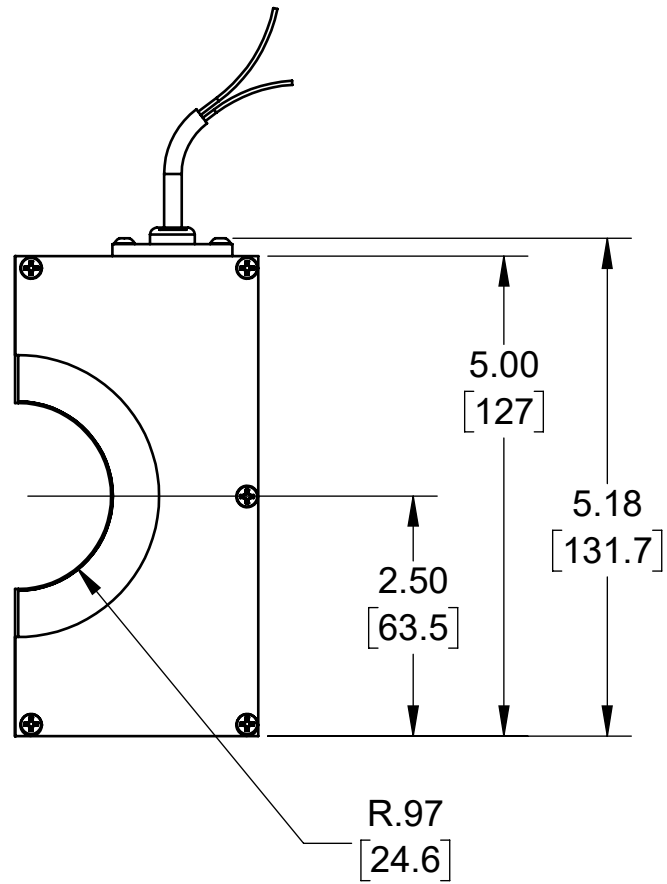


REVISIONS				
REV.	DESCRIPTION	DATE	APPROVED	
B	Modeled only 1 light	09/26/12	KLH	



Metaphase Technologies, Inc. 211 Sinclair Road, Suite 100, Bristol, PA. 19007 215-639-8699 Fax 215-639-0977																	
QUANTITY: Per order	TOLERANCE/FINISH UNLESS OTHERWISE SPECIFIED	THIS DOCUMENT IS THE PROPERTY OF METAPHASE TECHNOLOGIES, INC. WHOM MAY LOAN IT, SUBJECT TO RETURN UPON DEMAND. IT INCLUDES CONFIDENTIAL & PROPRIETARY INFORMATION WHICH MAY NOT BE DISCLOSED TO ANY THIRD PARTY, AND/ OR USED FOR ANY PURPOSE CONTRARY TO IT'S INTENDED USE, WITHOUT THE EXPRESSED PRIOR WRITTEN CONSENT OF METAPHASE TECHNOLOGIES, INC.															
MATERIAL: See BOM	<table border="1"> <thead> <tr> <th colspan="4">INCHES [MM]</th> <th>125√RMS [RA3.2um]</th> </tr> <tr> <th>X</th> <th>.X</th> <th>.XX</th> <th>.XXX</th> <th>ANGLES ±1°</th> </tr> </thead> <tbody> <tr> <td>[±.76]</td> <td>±.030 [±.25]</td> <td>±.010 [±.13]</td> <td>±.005</td> <td></td> </tr> </tbody> </table>	INCHES [MM]				125√RMS [RA3.2um]	X	.X	.XX	.XXX	ANGLES ±1°	[±.76]	±.030 [±.25]	±.010 [±.13]	±.005		TITLE: Top Assy.; Ring Light
INCHES [MM]				125√RMS [RA3.2um]													
X	.X	.XX	.XXX	ANGLES ±1°													
[±.76]	±.030 [±.25]	±.010 [±.13]	±.005														
FINISH: As supplied		USED ON: Next assy.															
TREATMENT: N/A		SIZE: B	DRAWING NUMBER: OARL101-SC2-1														
		SCALE: 1:2	SHEET 1 OF 1														

Approval Signature _____ / / Date _____