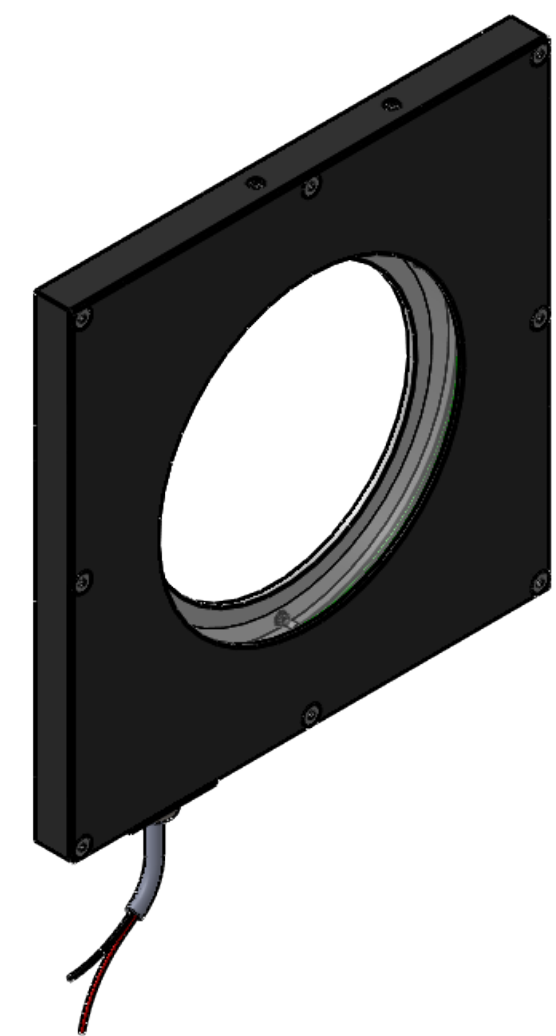


REVISIONS			
REV.	DESCRIPTION	DATE	APPROVED
A	INITIAL RELEASE	11/14/2011	
B	REVISED AND REDRAWN, KW	1/21/2011	
C	ADDED USED ON ASSEMBLIES, KW	4/24/2012	
D	REVISED AND REDRAWN	6/24/2015	
E	BOM HARDWARE REVISION	12/27/2016	
F	UPDATE TO CLEARLY SHOW ALL MTG LOCATIONS	2/15/2017	
G	UPDATE OUTSIDE MTG FROM 8-32 TO M5	9/18/2017	



Metaphase Technologies, Inc. 211 Sinclair Road, Suite 100, Bristol, PA. 19007 215-639-8699 Fax 215-639-0977



SEE SHEET 2 FOR EXPLODED VIEW AND BOM.

<b>QUANTITY:</b>	1 per assy.
<b>MATERIAL:</b>	See BOM
<b>FINISH:</b>	Black Powder Coat
<b>TREATMENT:</b>	N/A

TOLERANCE/FINISH UNLESS OTHERWISE SPECIFIED				
INCHES [MM]				125 $\sqrt$ RMS [RA3.2um]
X	.X	.XX	.XXX	ANGLES $\pm 1^\circ$
[ $\pm .76$ ]	[ $\pm .030$ [ $\pm .25$ ]	[ $\pm .010$ [ $\pm .13$ ]	$\pm .005$	

THIS DOCUMENT IS THE PROPERTY OF METAPHASE TECHNOLOGIES, INC. WHOM MAY LOAN IT, SUBJECT TO RETURN UPON DEMAND. IT INCLUDES CONFIDENTIAL & PROPRIETARY INFORMATION WHICH MAY NOT BE DISCLOSED TO ANY THIRD PARTY, AND/ OR USED FOR ANY PURPOSE CONTRARY TO IT'S INTENDED USE, WITHOUT THE EXPRESSED PRIOR WRITTEN CONSENT OF METAPHASE TECHNOLOGIES, INC.

TITLE  
**RING LIGHT, OFF AXIS 4" (101.6)**

USED ON  
**Per Customer**

SIZE <b>B</b>	DRAWING NUMBER <b>OARL201</b>	REV <b>G</b>
SCALE 1:2		SHEET 1 OF 1

Approval Signature \_\_\_\_\_

/ /  
Date