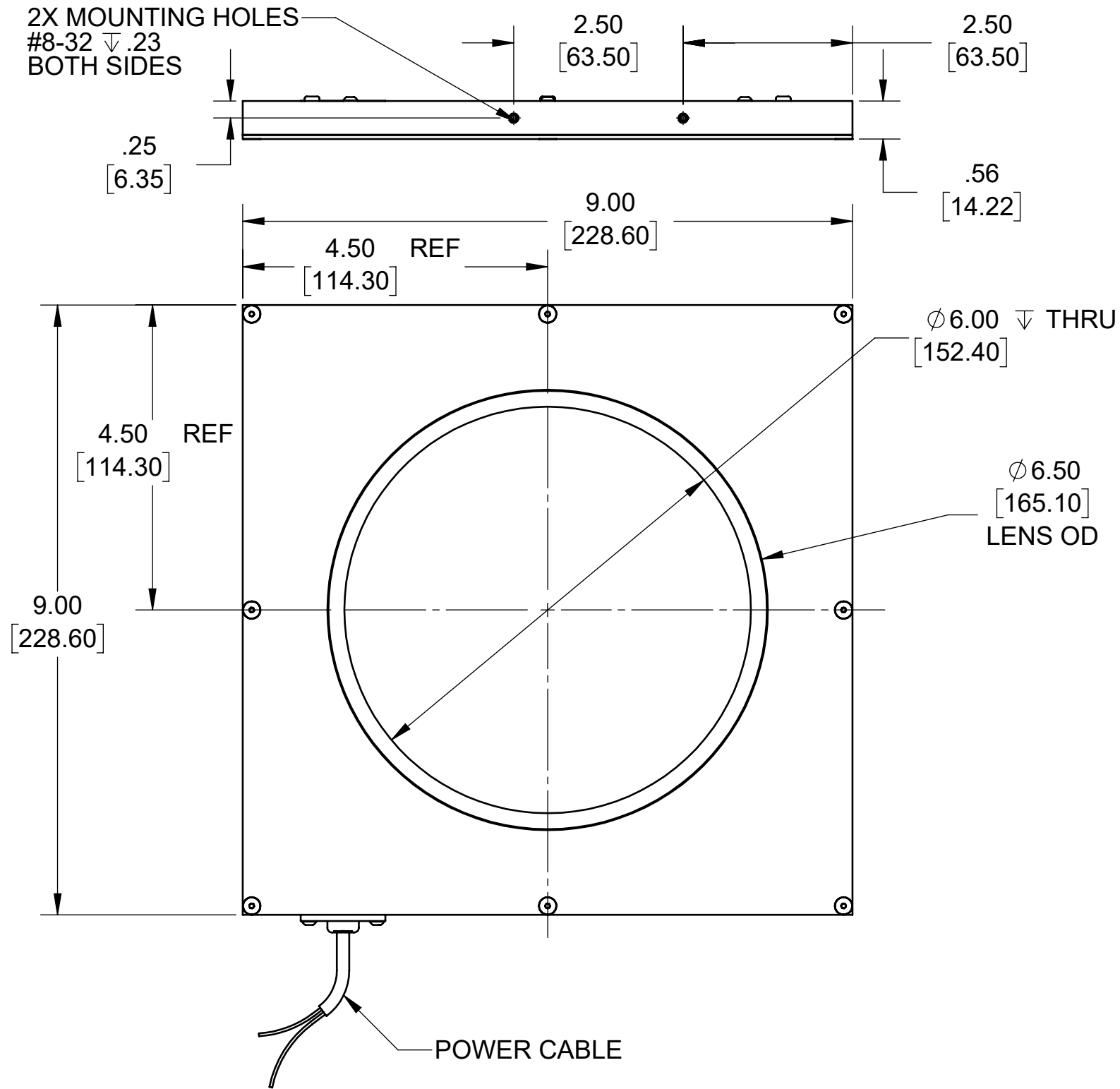
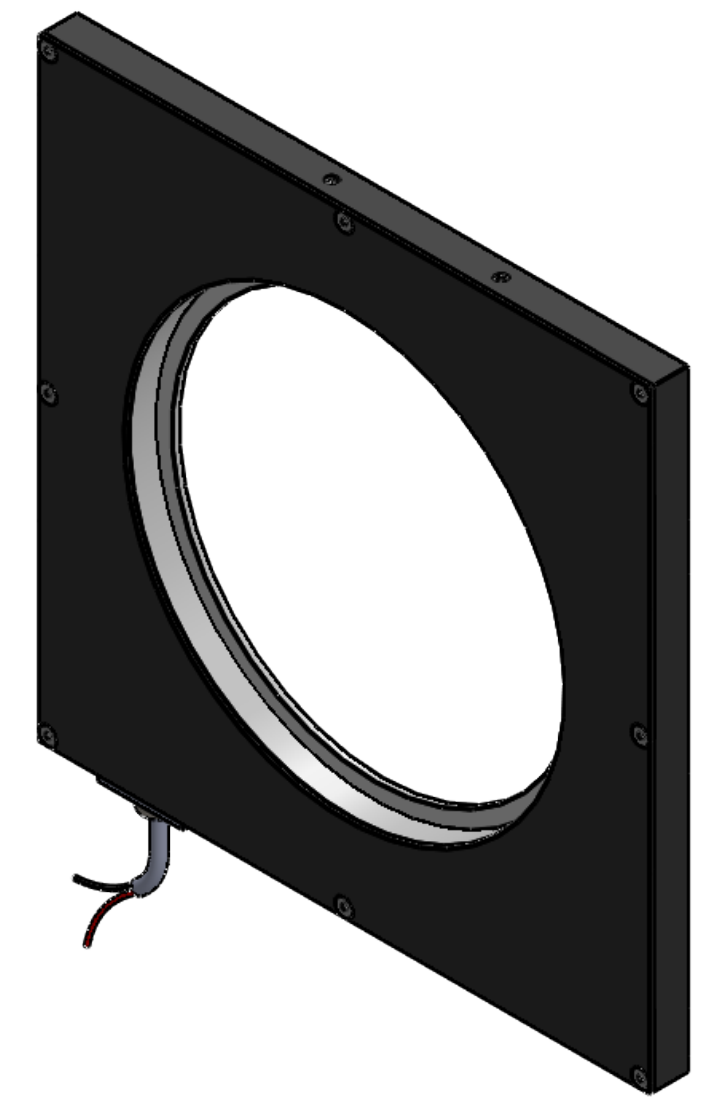


2X MOUNTING HOLES
#8-32 ∇ .23
BOTH SIDES



REVISIONS			
REV.	DESCRIPTION	DATE	APPROVED
B	BOM HARDWARE UPDATE	12/27/2016	



Metaphase Technologies, Inc. 211 Sinclair Road, Suite 100, Bristol, PA. 19007 215-639-8699 Fax 215-639-0977



QUANTITY:	1 per assy.
MATERIAL:	Aluminum; Acrylic
FINISH:	Black Anodize
TREATMENT:	N/A

TOLERANCE/FINISH UNLESS OTHERWISE SPECIFIED				
INCHES [MM]				
X	.X	.XX	.XXX	125 \sqrt RMS [RA3.2um]
[\pm .76]	[\pm .030 [\pm .25]	[\pm .010 [\pm .13]	\pm .005	ANGLES \pm 1°

THIS DOCUMENT IS THE PROPERTY OF METAPHASE TECHNOLOGIES, INC. WHOM MAY LOAN IT, SUBJECT TO RETURN UPON DEMAND. IT INCLUDES CONFIDENTIAL & PROPRIETARY INFORMATION WHICH MAY NOT BE DISCLOSED TO ANY THIRD PARTY, AND/ OR USED FOR ANY PURPOSE CONTRARY TO IT'S INTENDED USE, WITHOUT THE EXPRESSED PRIOR WRITTEN CONSENT OF METAPHASE TECHNOLOGIES, INC.

TITLE RING LIGHT, OFF AXIS 6" (152.4)		
USED ON Per Customer		
SIZE B	DRAWING NUMBER OARL301	REV B
SCALE 1:2		SHEET 1 OF 1

Approval Signature _____

/ /
Date