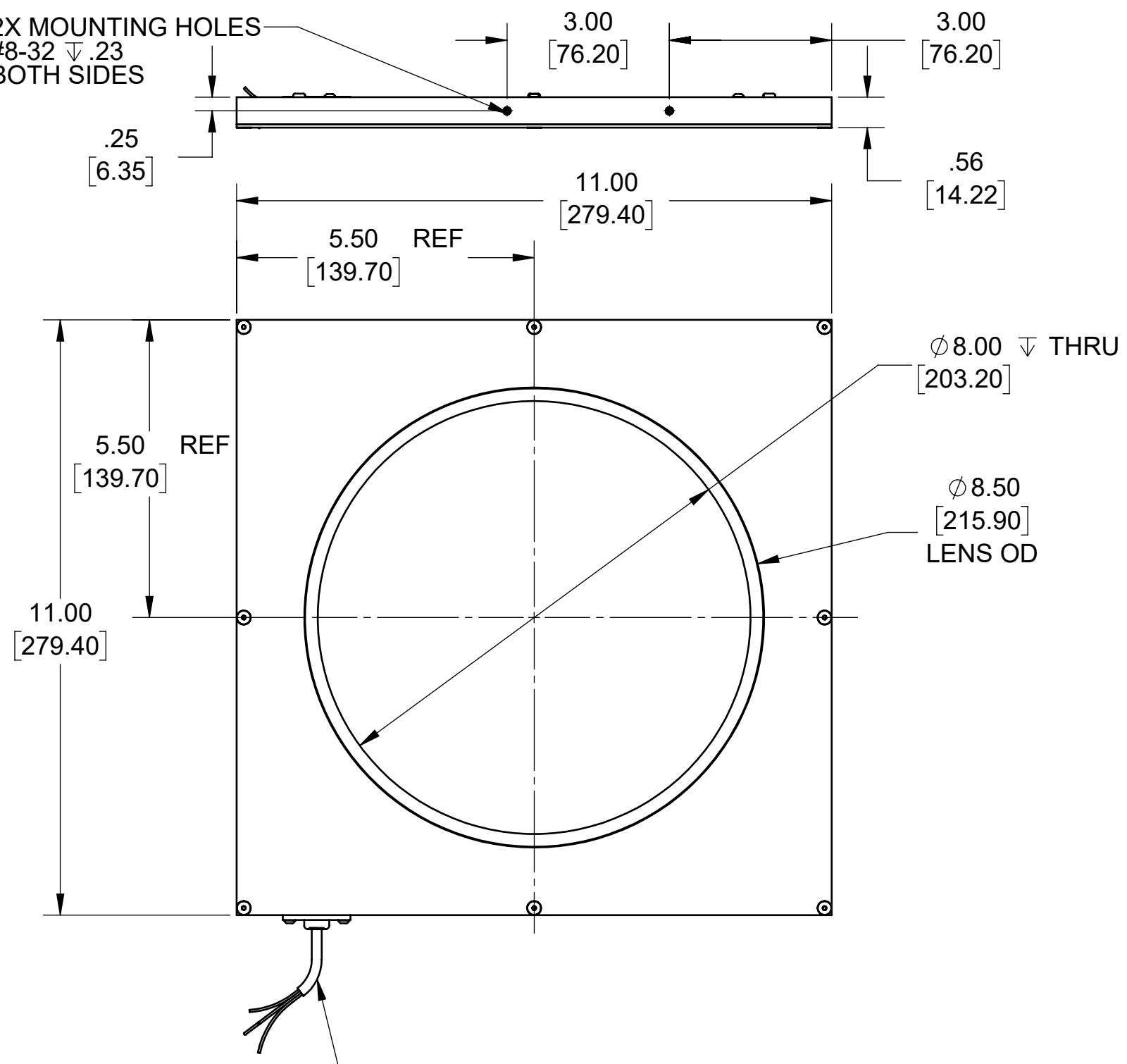
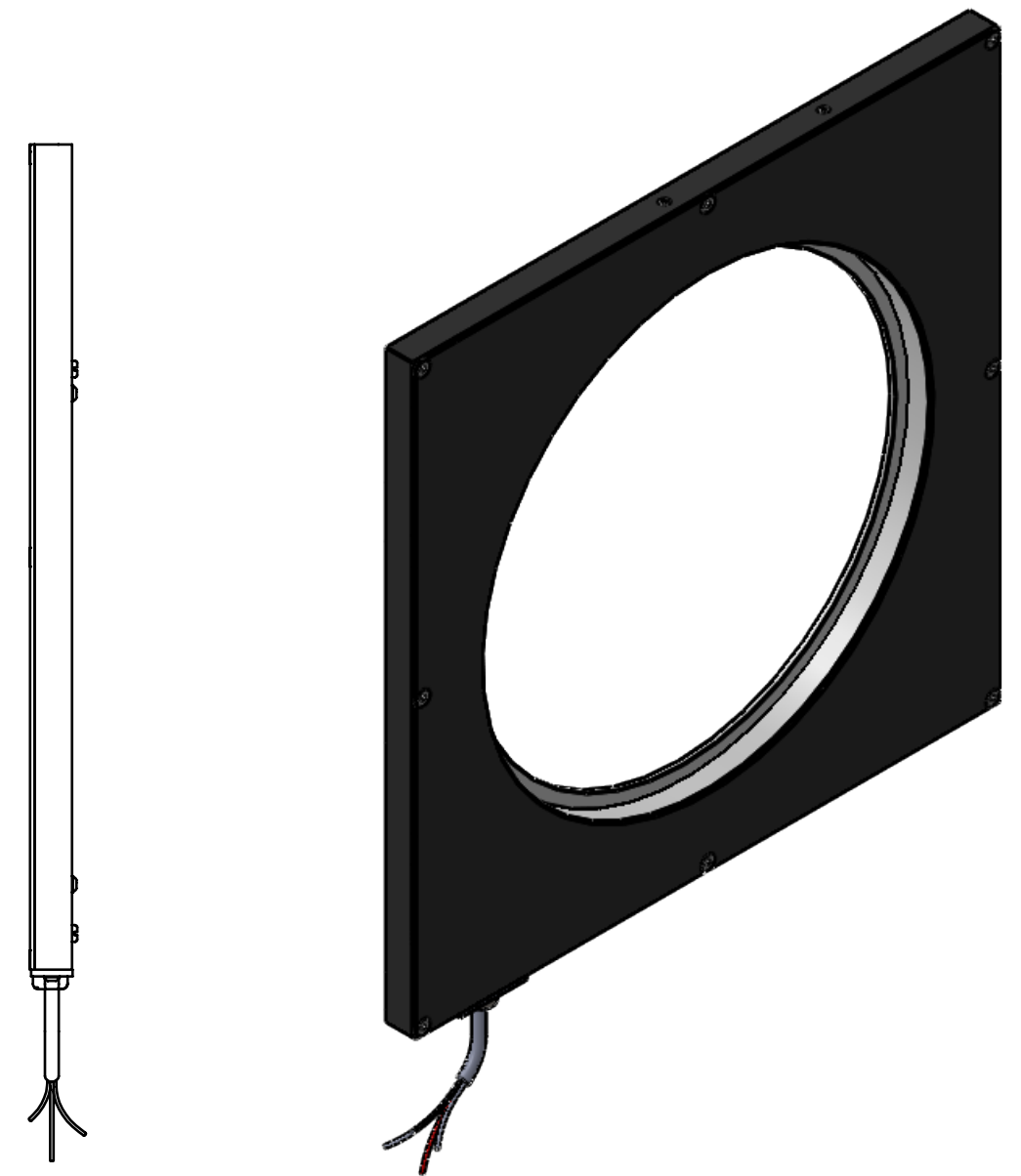


2X MOUNTING HOLES  
#8-32  $\nabla$  .23  
BOTH SIDES



POWER CABLE

| REVISIONS |                    |            |          |
|-----------|--------------------|------------|----------|
| REV.      | DESCRIPTION        | DATE       | APPROVED |
| A         | INITIAL RELEASE    | 9/5/2015   |          |
| B         | BOM REVISION       | 12/27/2016 |          |
| C         | CABLE SIZE UPDATED | 9/19/2017  |          |



Metaphase Technologies, Inc. 211 Sinclair Road, Suite 100, Bristol, PA. 19007 215-639-8699 Fax 215-639-0977

|                   |               |
|-------------------|---------------|
| <b>QUANTITY:</b>  | 1 per assy.   |
| <b>MATERIAL:</b>  | See BOM       |
| <b>FINISH:</b>    | Black Anodize |
| <b>TREATMENT:</b> | N/A           |

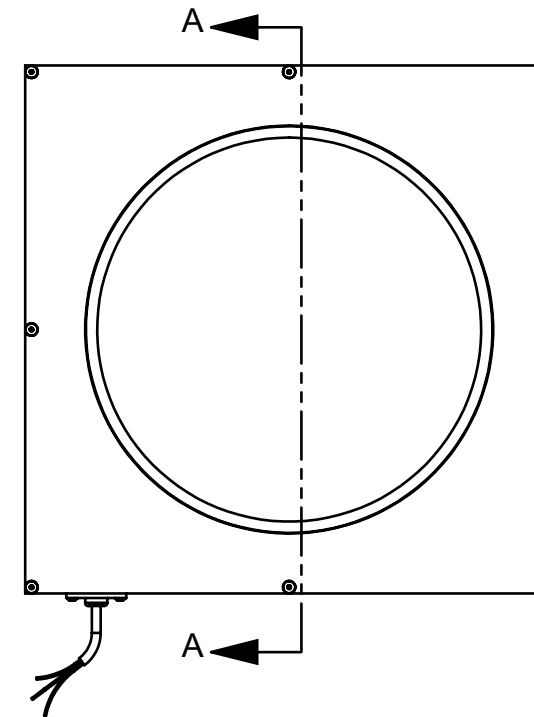
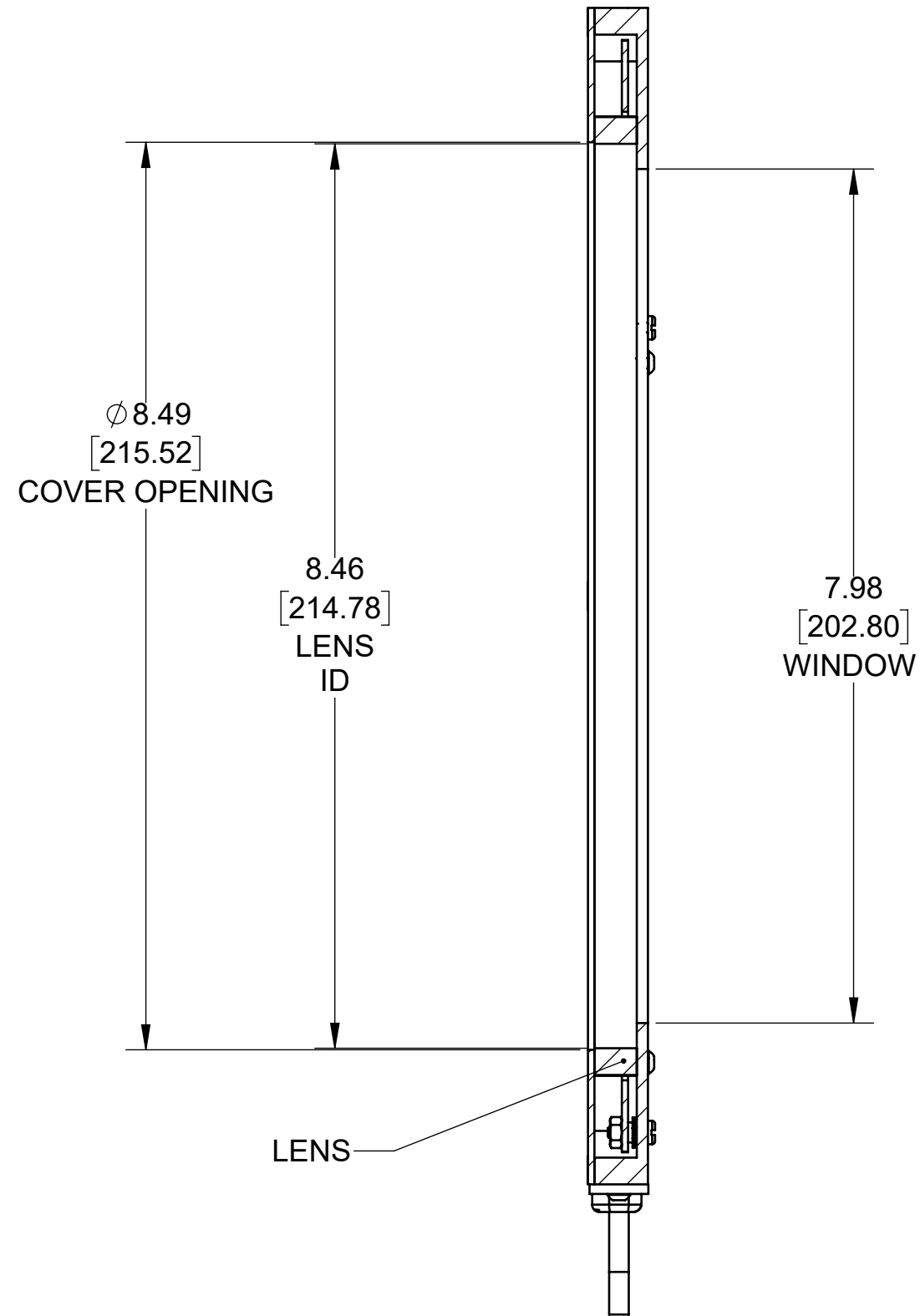
| TOLERANCE/FINISH<br>UNLESS OTHERWISE SPECIFIED |                            |                            |            |                              |
|--|----------------------------|----------------------------|------------|------------------------------|
| INCHES [MM]                                    |                            |                            |            | 125 $\sqrt$ RMS<br>[RA3.2um] |
| X  | .X                         | .XX                        | .XXX       |                              |
| [ $\pm$ .76]                                   | $\pm$ .030<br>[ $\pm$ .25] | $\pm$ .010<br>[ $\pm$ .13] | $\pm$ .005 | ANGLES $\pm$ 1°              |

THIS DOCUMENT IS THE PROPERTY OF METAPHASE TECHNOLOGIES, INC. WHOM MAY LOAN IT, SUBJECT TO RETURN UPON DEMAND. IT INCLUDES CONFIDENTIAL & PROPRIETARY INFORMATION WHICH MAY NOT BE DISCLOSED TO ANY THIRD PARTY, AND/ OR USED FOR ANY PURPOSE CONTRARY TO IT'S INTENDED USE, WITHOUT THE EXPRESSED PRIOR WRITTEN CONSENT OF METAPHASE TECHNOLOGIES, INC.



|  |                           |              |
|--|---------------------------|--------------|
| TITLE<br>RING LIGHT, OFF AXIS 8" (203.2) |                           |              |
| USED ON<br>Per Customer                  |                           |              |
| SIZE<br>B                                | DRAWING NUMBER<br>OARL401 | REV<br>C     |
| SCALE 1:2                                |                           | SHEET 1 OF 2 |

Approval Signature \_\_\_\_\_ / / Date \_\_\_\_\_



Metaphase Technologies, Inc. 211 Sinclair Road, Suite 100,  
 Bristol, PA. 19007 215-639-8699 Fax 215-639-0977



TOLERANCE/FINISH  
 UNLESS OTHERWISE SPECIFIED

| X      | INCHES[MM]      |                 |       | 125√RMS<br>[RA3.2um] |
|--------|-----------------|-----------------|-------|----------------------|
|        | .X              | .XX             | .XXX  |                      |
| [±.76] | ±.030<br>[±.25] | ±.010<br>[±.13] | ±.005 | ANGLES±1°            |

FLAT PATTERNS USE 0.5 K FACTOR FOR DESIGN  
 REFERENCE ONLY. ACTUAL VALUE MAY VARY,  
 USE TEST PART AS REQ'D TO VERIFY ACCURACY

THIS DOCUMENT IS THE PROPERTY OF  
**METAPHASE TECHNOLOGIES, INC.** WHOM MAY  
 LOAN IT, SUBJECT TO RETURN UPON DEMAND.  
 IT INCLUDES CONFIDENTIAL & PROPRIETARY  
 INFORMATION WHICH MAY NOT BE DISCLOSED  
 TO ANY THIRD PARTY, AND/ OR USED FOR  
 ANY PURPOSE CONTRARY TO IT'S INTENDED  
 USE, WITHOUT THE EXPRESSED PRIOR WRITTEN  
 CONSENT OF **METAPHASE TECHNOLOGIES, INC.**

TITLE  
 RING LIGHT, OFF AXIS 8" (203.2)

USED ON  
 Per Customer

|                  |                                  |                 |
|------------------|----------------------------------|-----------------|
| SIZE<br><b>B</b> | DRAWING NUMBER<br><b>OARL401</b> | REV<br><b>C</b> |
| SCALE<br>2:5     | SHEET 2 OF 2                     |                 |