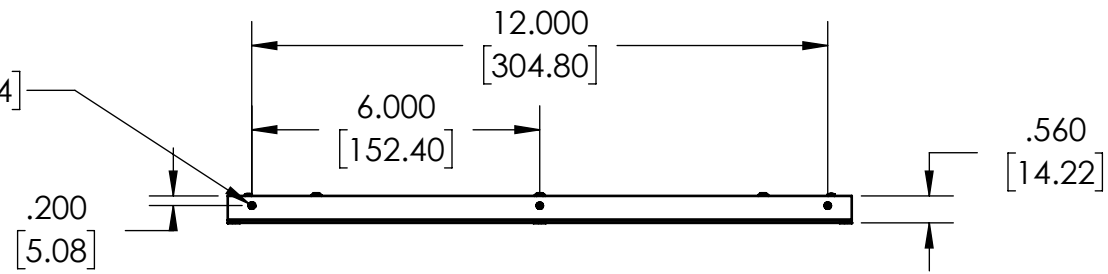
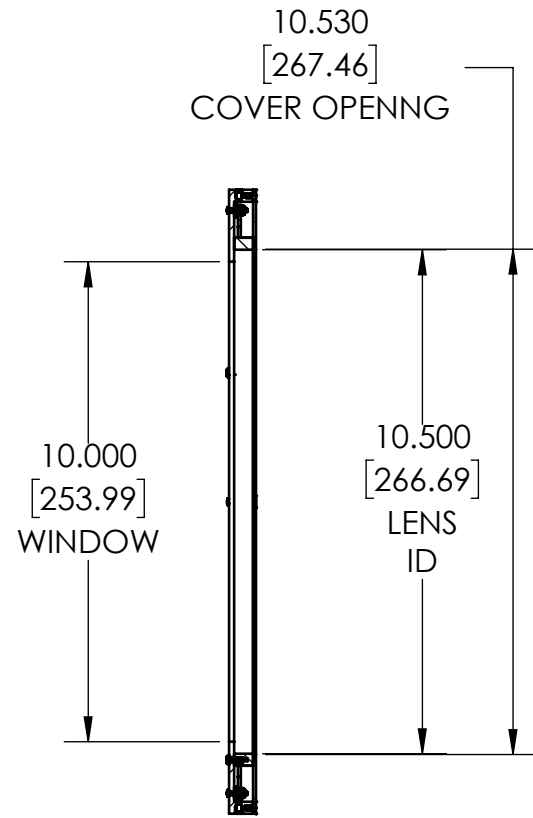


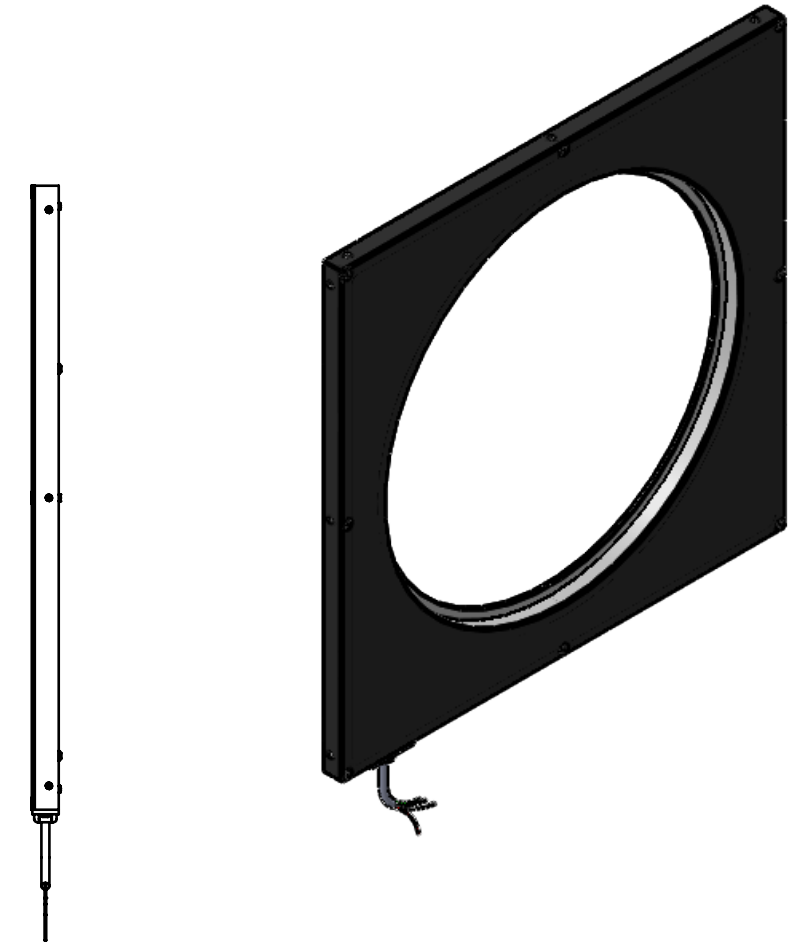
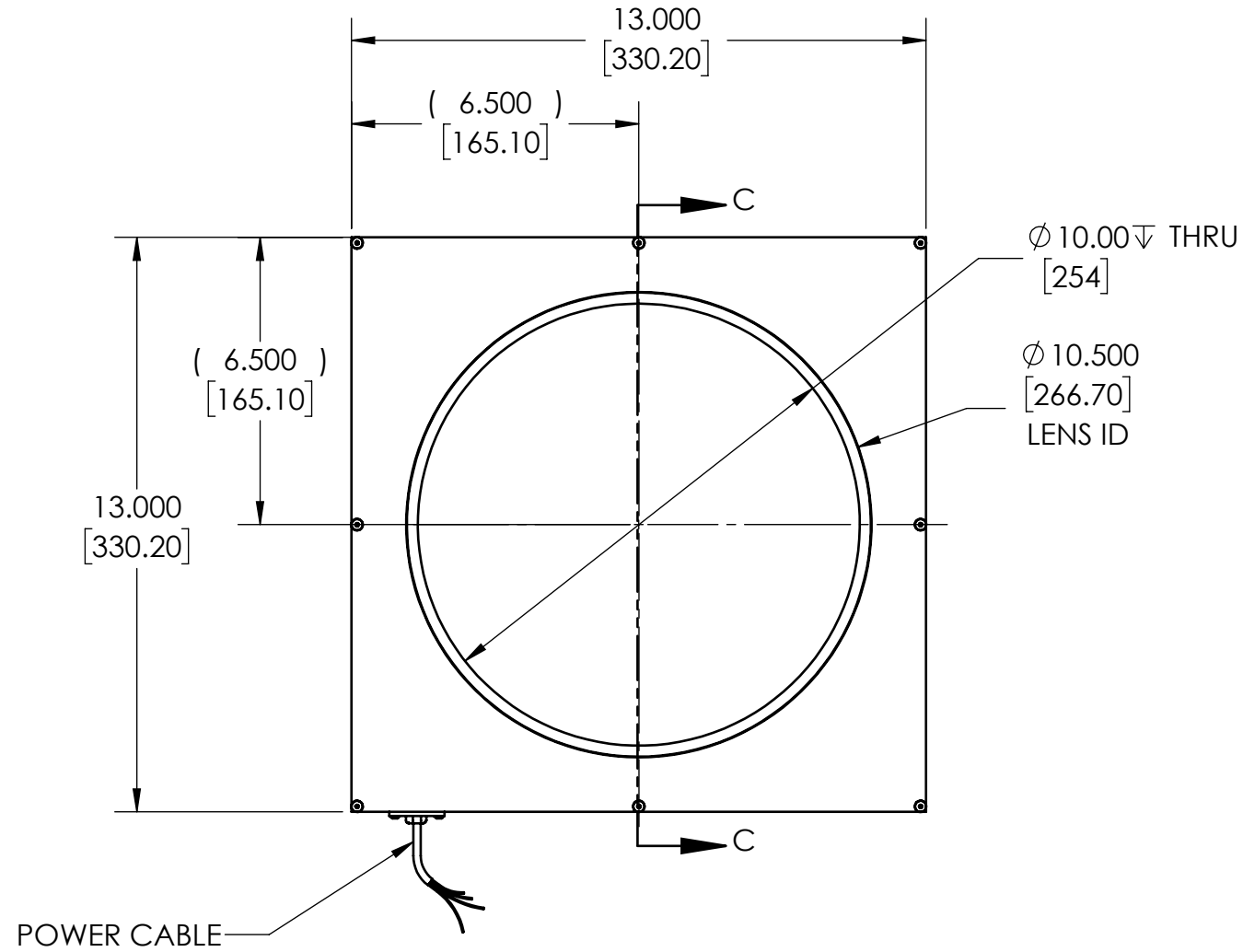
3X MOUNTING HOLES  
M4X0.7 - 6H  $\nabla$  .230 [5.84]  
FOUR SIDES



REVISIONS			
REV.	DESCRIPTION	DATE	APPROVED
B	CHANGED LENS ID AND OD DIMENSIONS	1/6/2016	
C	CHANGED PCB, HOUSING, HDWE, DRAWING FORMATS	2/25/2016	
D	UPDATED TITLE BLOCK TYPO	8/30/2016	



SECTION C-C  
SCALE 1 : 4



SEE SHEET 2 FOR EXPLODED VIEW AND BOM.

Metaphase Technologies, Inc. 211 Sinclair Road, Suite 100, Bristol, PA. 19007 215-639-8699 Fax 215-639-0977



<b>QUANTITY:</b>	1 per assy.
<b>MATERIAL:</b>	See BOM
<b>FINISH:</b>	Black Anodize
<b>TREATMENT:</b>	N/A

TOLERANCE/FINISH UNLESS OTHERWISE SPECIFIED				
INCHES [MM]				125 $\sqrt$ RMS [RA3.2um]
X	.X	.XX	.XXX	
[ $\pm$ .76]	$\pm$ .030 [ $\pm$ .25]	$\pm$ .010 [ $\pm$ .13]	$\pm$ .005	ANGLES $\pm$ 1°

THIS DOCUMENT IS THE PROPERTY OF METAPHASE TECHNOLOGIES, INC. WHOM MAY LOAN IT, SUBJECT TO RETURN UPON DEMAND. IT INCLUDES CONFIDENTIAL & PROPRIETARY INFORMATION WHICH MAY NOT BE DISCLOSED TO ANY THIRD PARTY, AND/ OR USED FOR ANY PURPOSE CONTRARY TO IT'S INTENDED USE, WITHOUT THE EXPRESSED PRIOR WRITTEN CONSENT OF METAPHASE TECHNOLOGIES, INC.

TITLE  
Off Axis Ring Light 10" Inch (254mm) Dia.

USED ON	Per Customer	
SIZE	DRAWING NUMBER	REV
B	OARL501	D
SCALE 1:2		SHEET 1 OF 1

Approval Signature \_\_\_\_\_

/ /  
Date