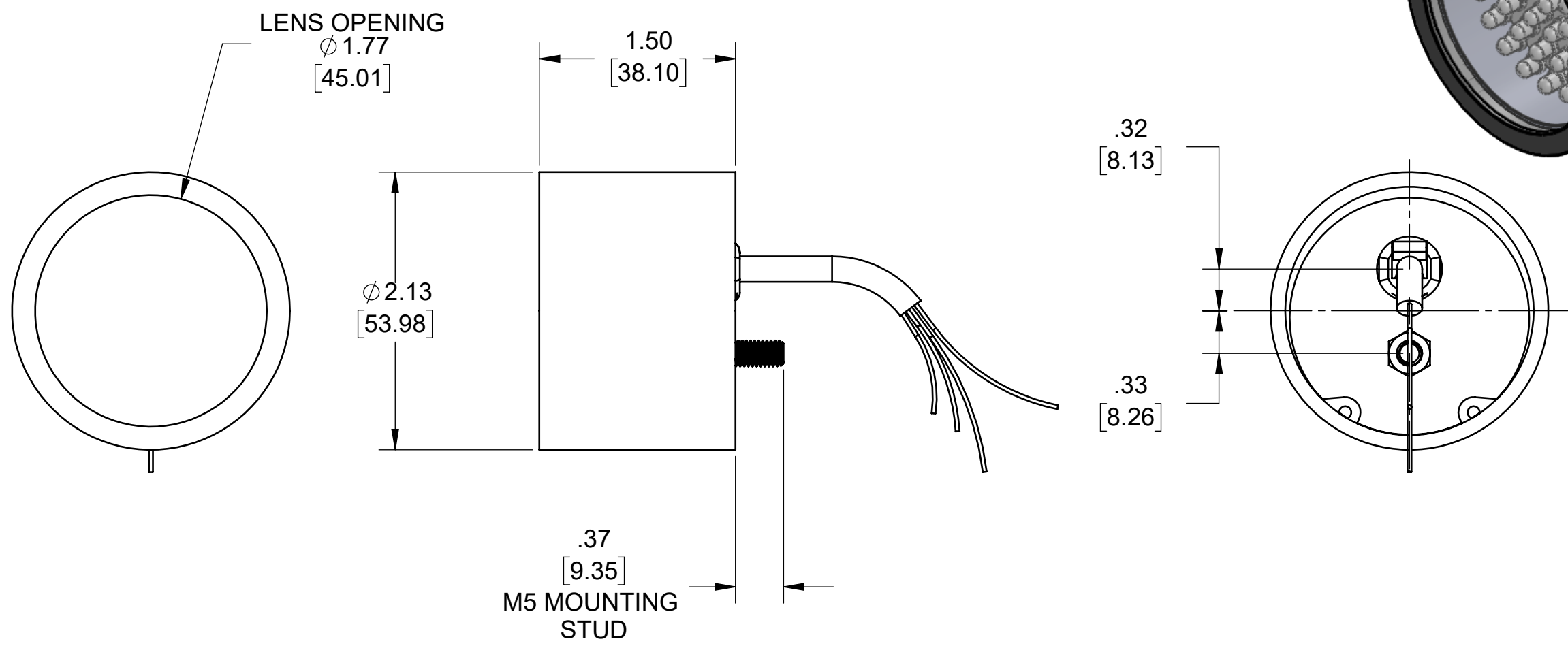
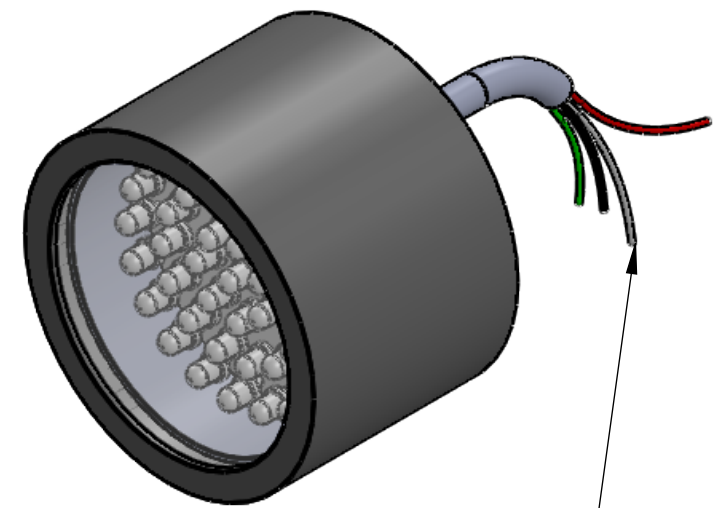


REVISIONS			
REV.	DESCRIPTION	DATE	APPROVED
A	INITIAL RELEASE	4/2/2016	
B	Redrawn in Solidworks, ECR #0020, KW	2/8/2012	
C	"QC'd design, added tolerances, redrawn"	4/5/2016	



POWER CABLE

SEE SHEET 2 FOR EXPLODED VIEW AND BOM

Metaphase Technologies, Inc. 211 Sinclair Road, Suite 100, Bristol, PA. 19007 215-639-8699 Fax 215-639-0977



<b>QUANTITY:</b>	Per order
<b>MATERIAL:</b>	Per BOM
<b>FINISH:</b>	Black Anodize
<b>TREATMENT:</b>	N/A

TOLERANCE/FINISH UNLESS OTHERWISE SPECIFIED				
INCHES [MM]				
X	.X	.XX	.XXX	125√RMS [RA3.2um]
[±.76]	±.030 [±.25]	±.010 [±.13]	±.005	ANGLES ±1°

THIS DOCUMENT IS THE PROPERTY OF METAPHASE TECHNOLOGIES, INC. WHOM MAY LOAN IT, SUBJECT TO RETURN UPON DEMAND. IT INCLUDES CONFIDENTIAL & PROPRIETARY INFORMATION WHICH MAY NOT BE DISCLOSED TO ANY THIRD PARTY, AND/ OR USED FOR ANY PURPOSE CONTRARY TO IT'S INTENDED USE, WITHOUT THE EXPRESSED PRIOR WRITTEN CONSENT OF METAPHASE TECHNOLOGIES, INC.

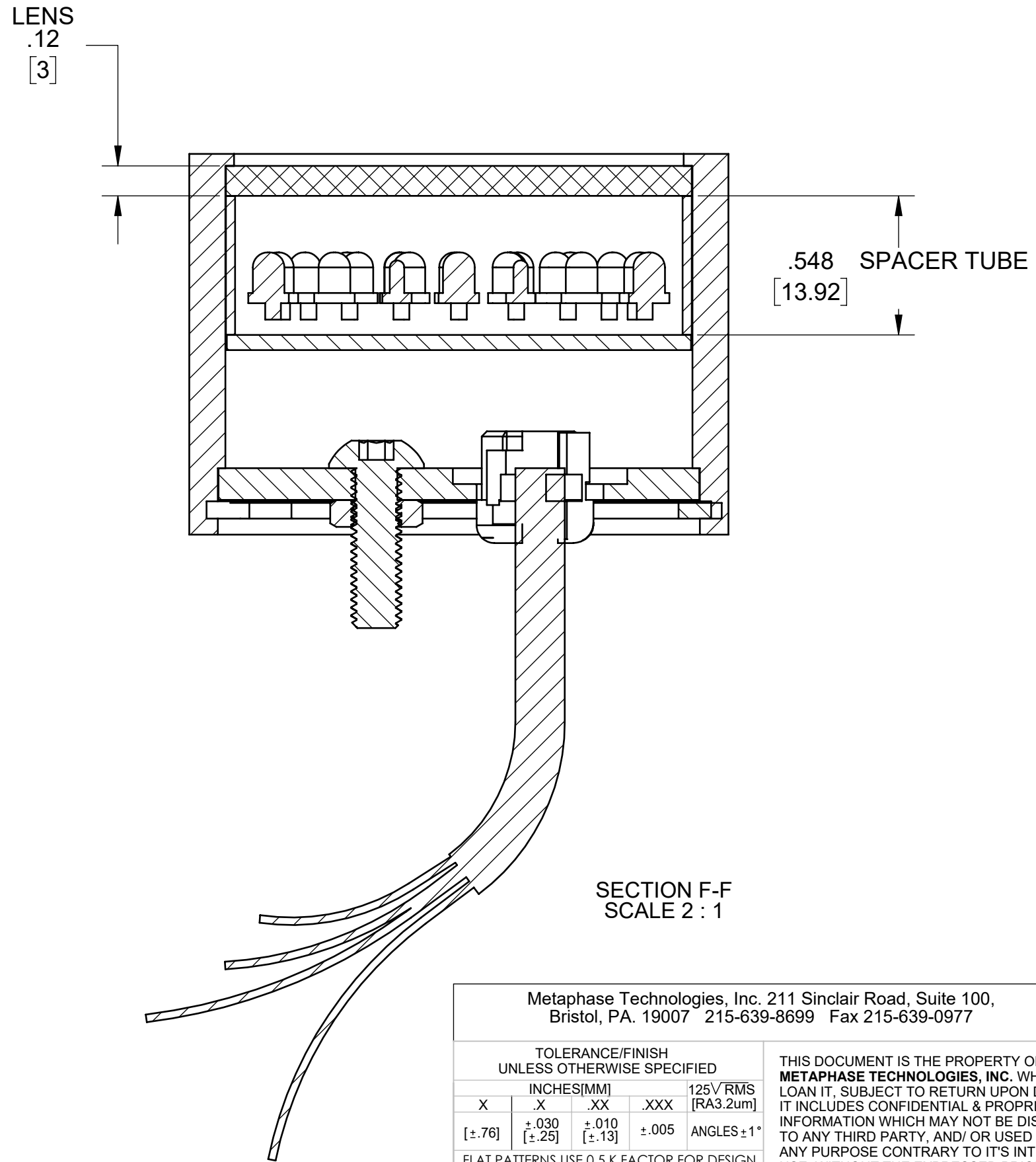
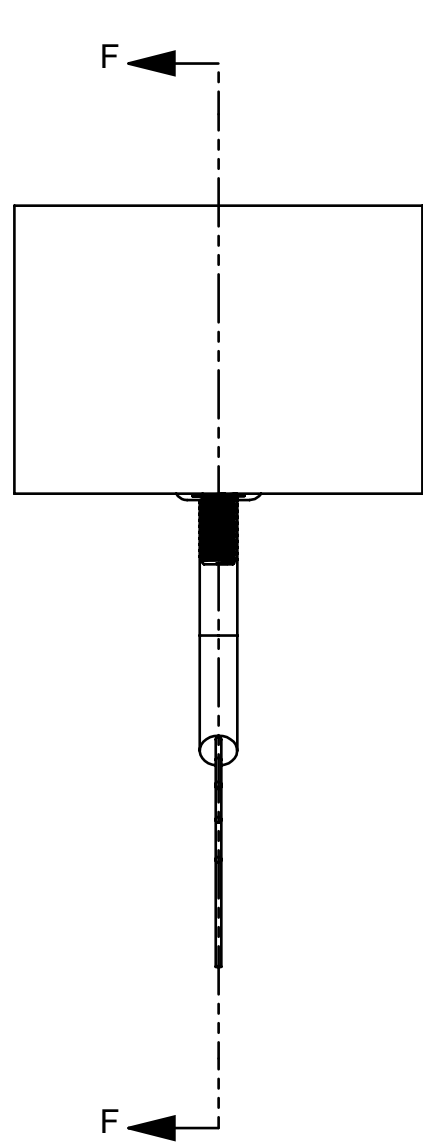
TITLE  
 Round Area Light; 2.1"

USED ON  
 Per customer

SIZE <b>B</b>	DRAWING NUMBER <b>RAL201-1</b>	REV <b>C</b>
SCALE 1:4		SHEET 1 OF 2

Approval Signature

/ /  
 Date



SECTION F-F  
SCALE 2 : 1

Metaphase Technologies, Inc. 211 Sinclair Road, Suite 100,  
Bristol, PA. 19007 215-639-8699 Fax 215-639-0977



TOLERANCE/FINISH UNLESS OTHERWISE SPECIFIED				
	INCHES[MM]			125√RMS [RA3.2um]
X	.X	.XX	.XXX	
[±.76]	±.030 [±.25]	±.010 [±.13]	±.005	ANGLES ±1°
FLAT PATTERNS USE 0.5 K FACTOR FOR DESIGN REFERENCE ONLY. ACTUAL VALUE MAY VARY, USE TEST PART AS REQ'D TO VERIFY ACCURACY				

THIS DOCUMENT IS THE PROPERTY OF  
**METAPHASE TECHNOLOGIES, INC.** WHOM MAY  
LOAN IT, SUBJECT TO RETURN UPON DEMAND.  
IT INCLUDES CONFIDENTIAL & PROPRIETARY  
INFORMATION WHICH MAY NOT BE DISCLOSED  
TO ANY THIRD PARTY, AND/ OR USED FOR  
ANY PURPOSE CONTRARY TO IT'S INTENDED  
USE, WITHOUT THE EXPRESSED PRIOR WRITTEN  
CONSENT OF **METAPHASE TECHNOLOGIES, INC.**

TITLE  
**Round Area Light; 2.1"**

USED ON  
**Per customer**

SIZE <b>B</b>	DRAWING NUMBER <b>RAL201-1</b>	REV <b>C</b>
SCALE 1:4	SHEET 2 OF 2	