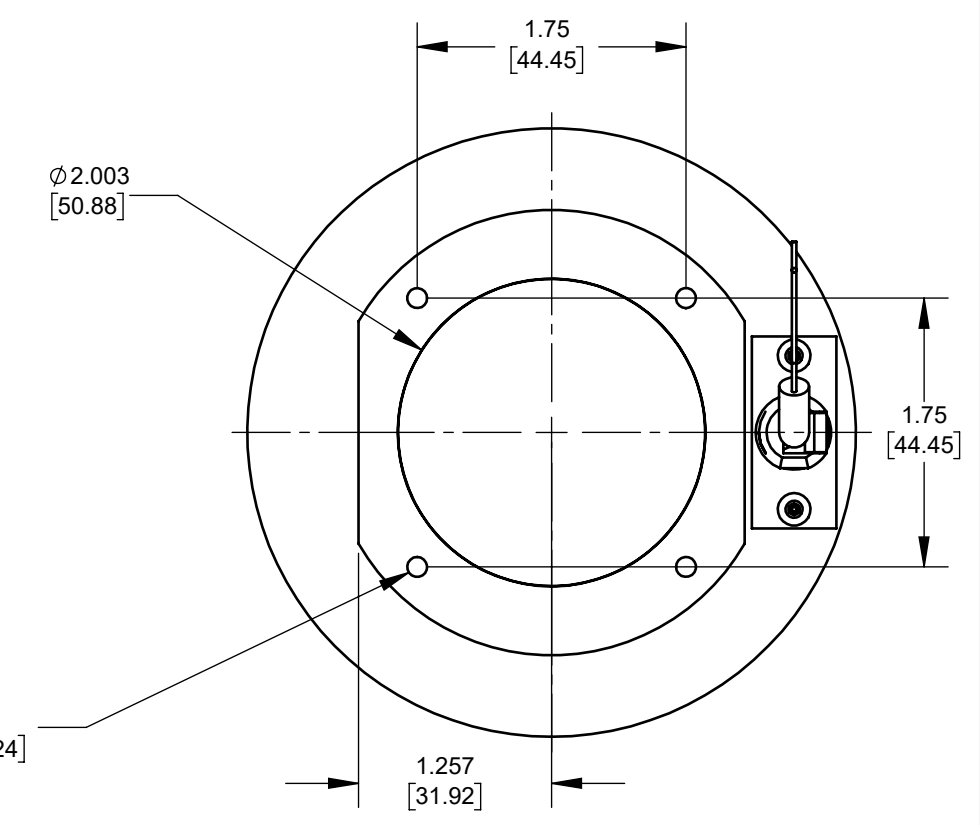
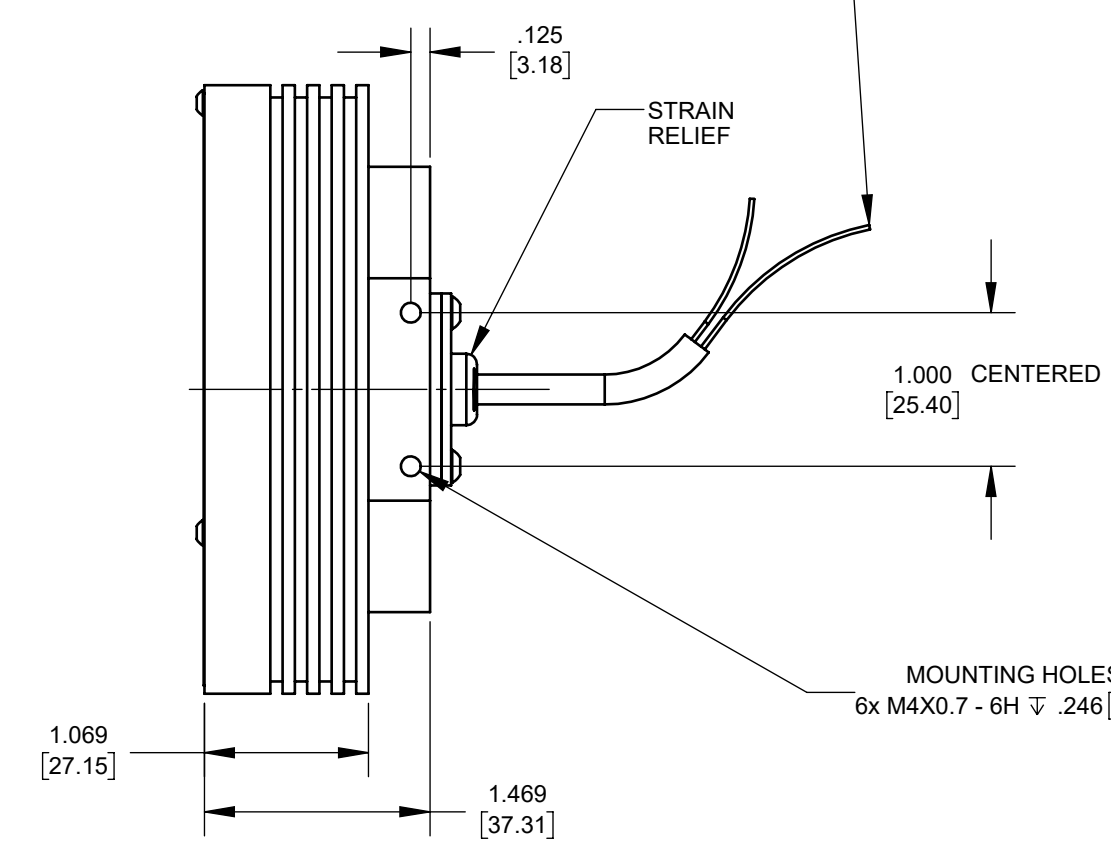
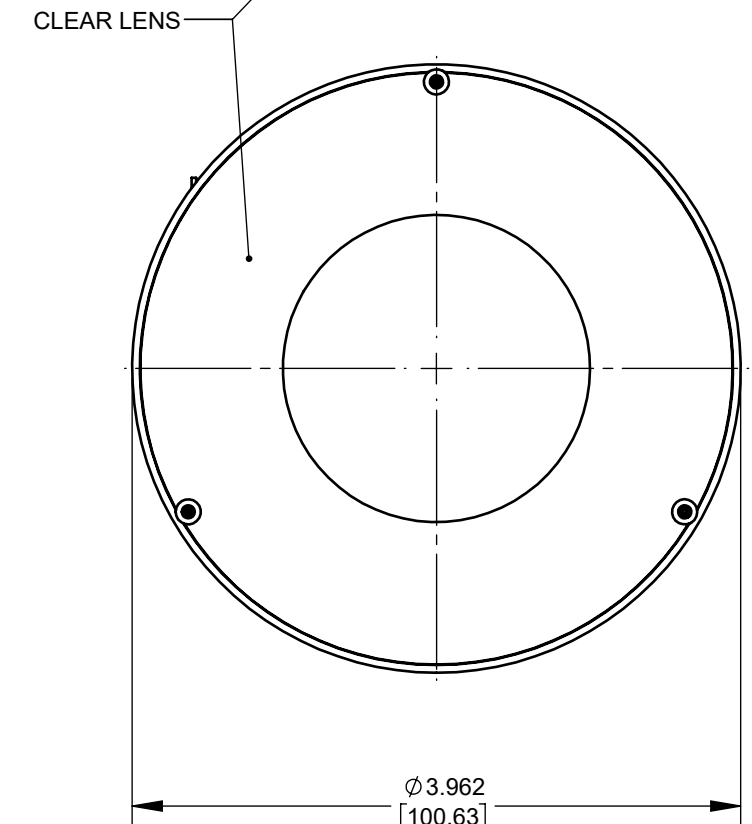
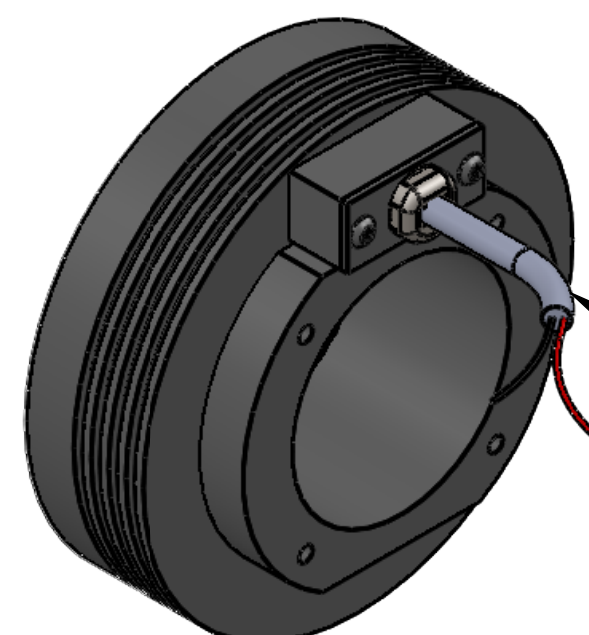
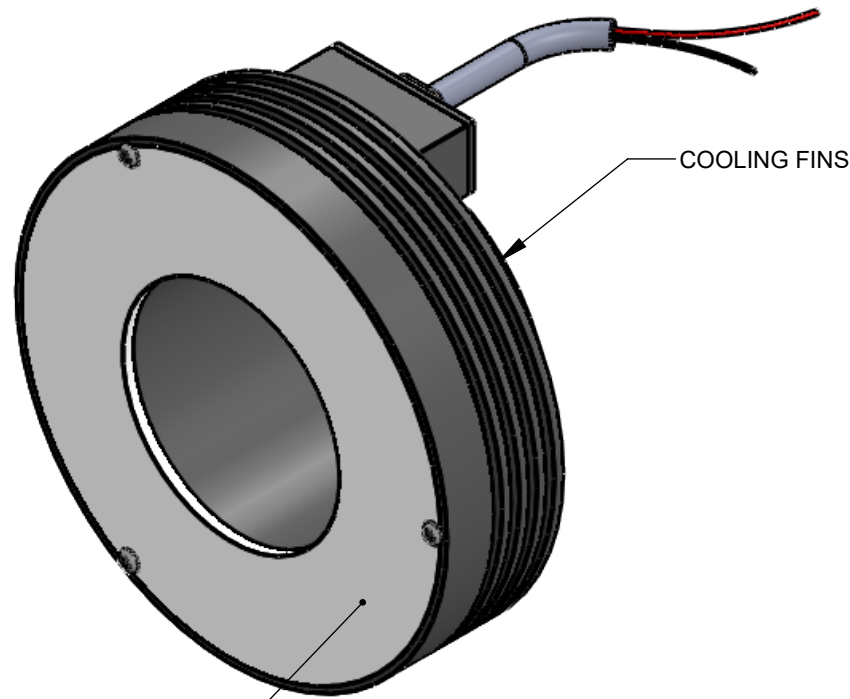


REVISIONS			
REV.	DESCRIPTION	DATE	APPROVED
B	ADDED M4 REAR MTG HOLES	10/26/2016	



Metaphase Technologies, Inc. 211 Sinclair Road, Suite 100, Bristol, PA. 19007 215-639-8699 Fax 215-639-0977			
QUANTITY: Per order	TOLERANCE/FINISH UNLESS OTHERWISE SPECIFIED	THIS DOCUMENT IS THE PROPERTY OF METAPHASE TECHNOLOGIES, INC. WHOM MAY LOAN IT, SUBJECT TO RETURN UPON DEMAND. IT INCLUDES CONFIDENTIAL & PROPRIETARY INFORMATION WHICH MAY NOT BE DISCLOSED TO ANY THIRD PARTY, AND/ OR USED FOR ANY PURPOSE CONTRARY TO IT'S INTENDED USE, WITHOUT THE EXPRESSED PRIOR WRITTEN CONSENT OF METAPHASE TECHNOLOGIES, INC.	
MATERIAL: Per BOM	INCHES [MM]	TITLE Top Assy.; 3" Ring Light	
FINISH: See note	X .X .XX .XXX	USED ON Per customer	
TREATMENT: N/A	±.76 ±.030 [±.25] ±.010 [±.13] ±.005	SIZE B	DRAWING NUMBER RL201-1
	ANGLES ±1°	SCALE 1:2	REV B
		SHEET 1 OF 1	

SEE SHEET 2 FOR EXPLODED VIEW AND BOM.

Approval Signature _____ Date ____/____/____