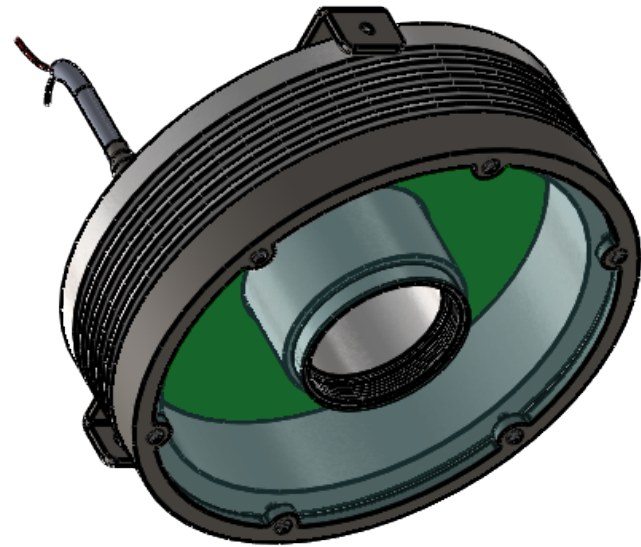
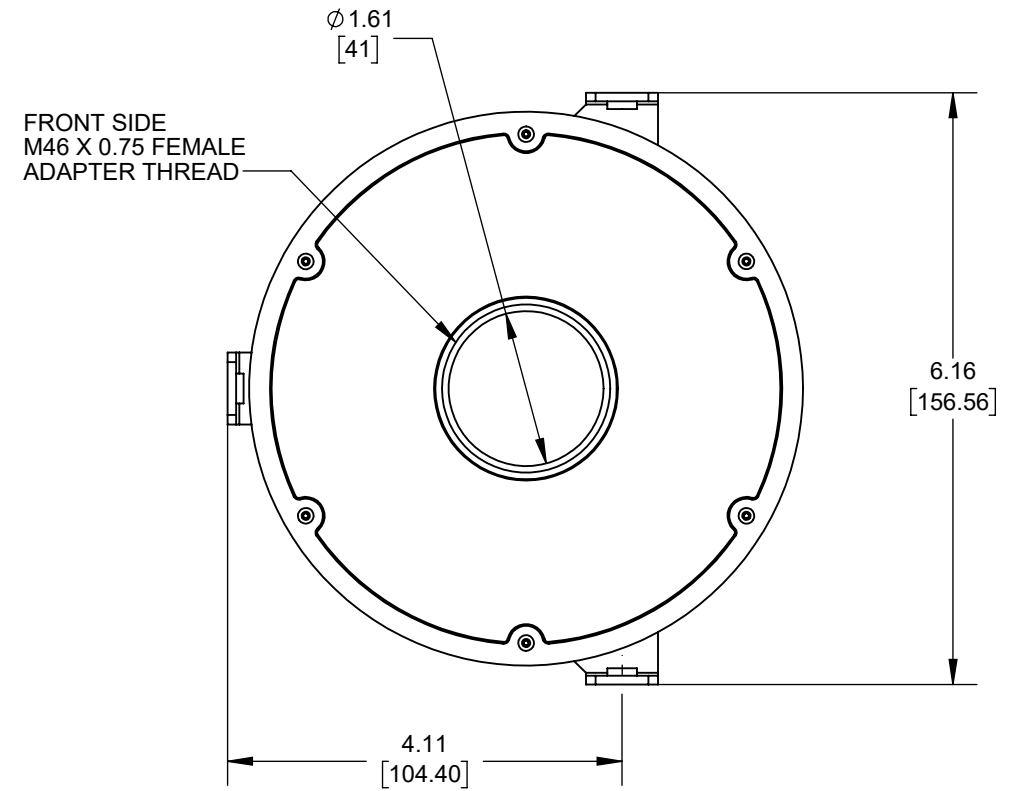
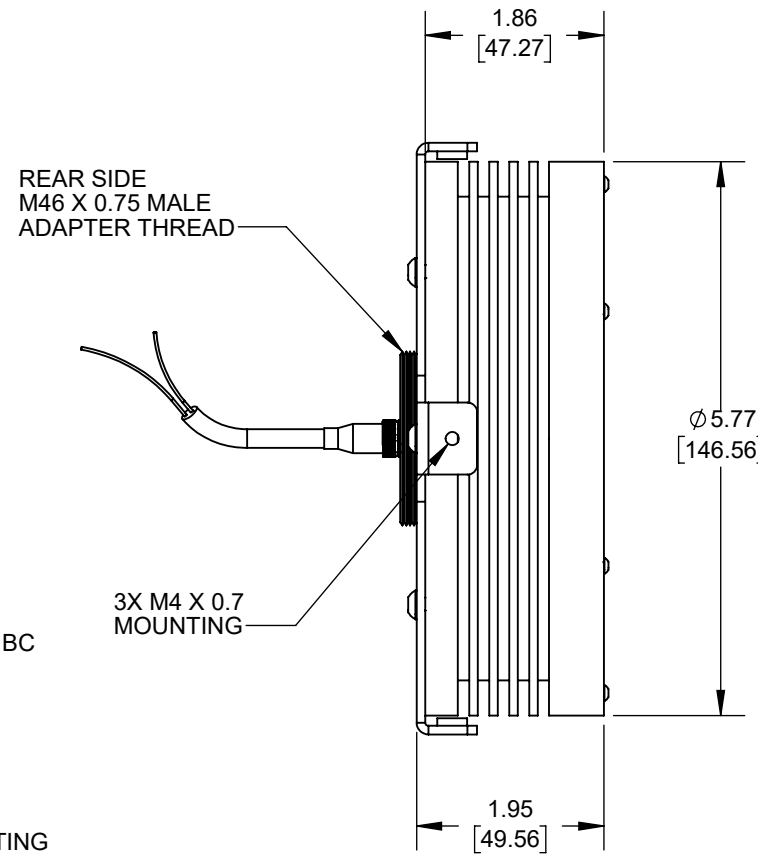
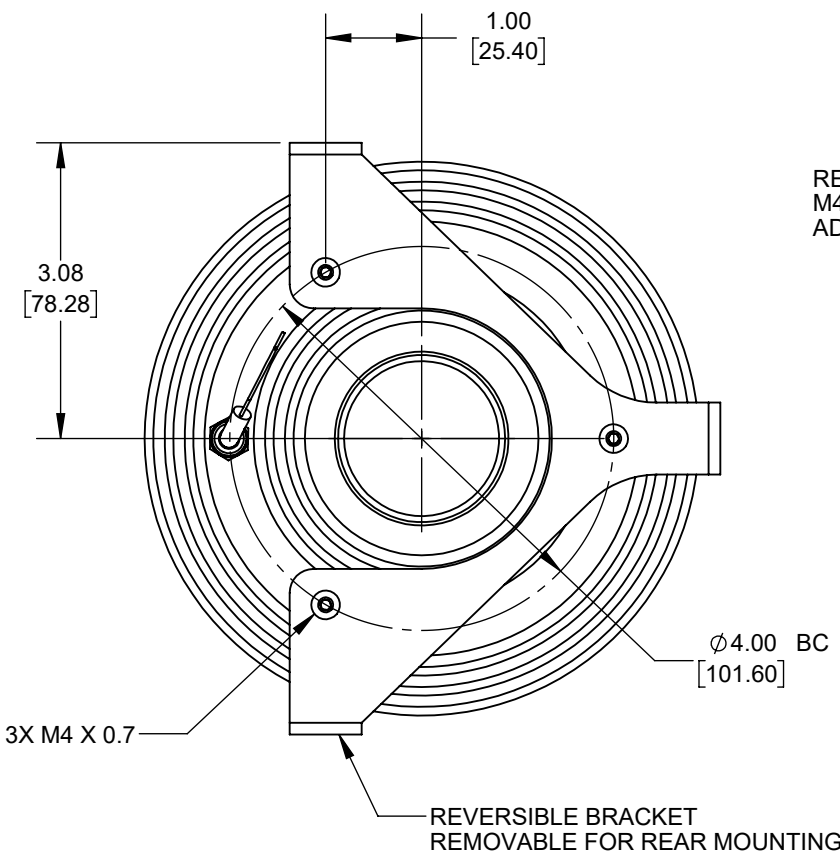
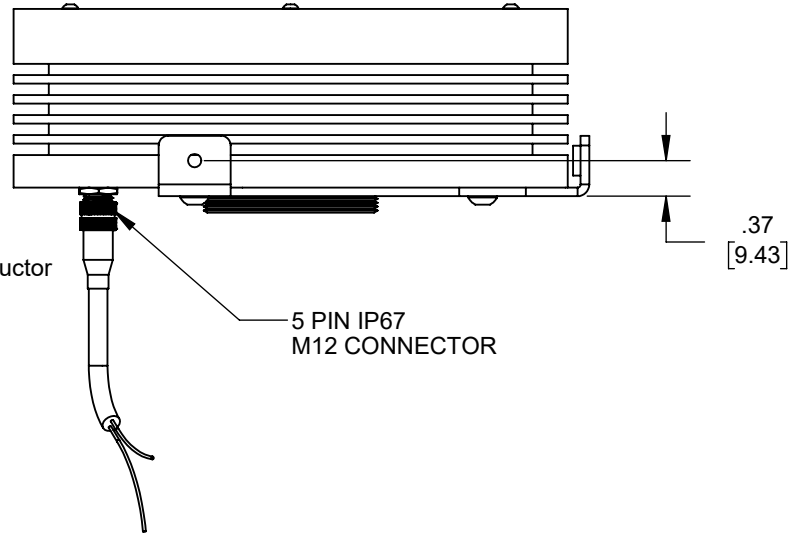


REVISIONS			
REV.	DESCRIPTION	DATE	APPROVED
A	INITIAL RELEASE	4/24/2017	
B	CABLE ENTRY UPDATED	4/26/2017	
C	RENAMED 101 TO 201 FROM PREVIOUS TYPO	12/13/2018	



POWER CABLE:  
24 AWG Stranded; 2 conductor  
w/ flying leadwire ends;  
10' Lg. -.19" OD



Metaphase Technologies, Inc. 211 Sinclair Road, Suite 100, Bristol, PA. 19007 215-639-8699 Fax 215-639-0977



<b>QUANTITY:</b>	Per order
<b>MATERIAL:</b>	ALUMINUM, ACRYLIC
<b>FINISH:</b>	BLACK ANODIZE
<b>TREATMENT:</b>	N/A

TOLERANCE / FINISH UNLESS OTHERWISE SPECIFIED				
INCHES [MM]				
X	.X	.XX	.XXX	125√RMS [RA3.2um]
[±.76]	[±.030 [±.25]]	[±.010 [±.13]]	±.005	ANGLES ±1°

THIS DOCUMENT IS THE PROPERTY OF METAPHASE TECHNOLOGIES, INC. WHOM MAY LOAN IT, SUBJECT TO RETURN UPON DEMAND. IT INCLUDES CONFIDENTIAL & PROPRIETARY INFORMATION WHICH MAY NOT BE DISCLOSED TO ANY THIRD PARTY, AND/ OR USED FOR ANY PURPOSE CONTRARY TO IT'S INTENDED USE, WITHOUT THE EXPRESSED PRIOR WRITTEN CONSENT OF METAPHASE TECHNOLOGIES, INC.

TITLE  
**ASSY, 46MM RING LIGHT**

USED ON  
Per customer

SIZE <b>B</b>	DRAWING NUMBER <b>RL201-46MM-01</b>	REV <b>C</b>
SCALE 1:2		SHEET 1 OF 1

Approval Signature

/ /  
Date