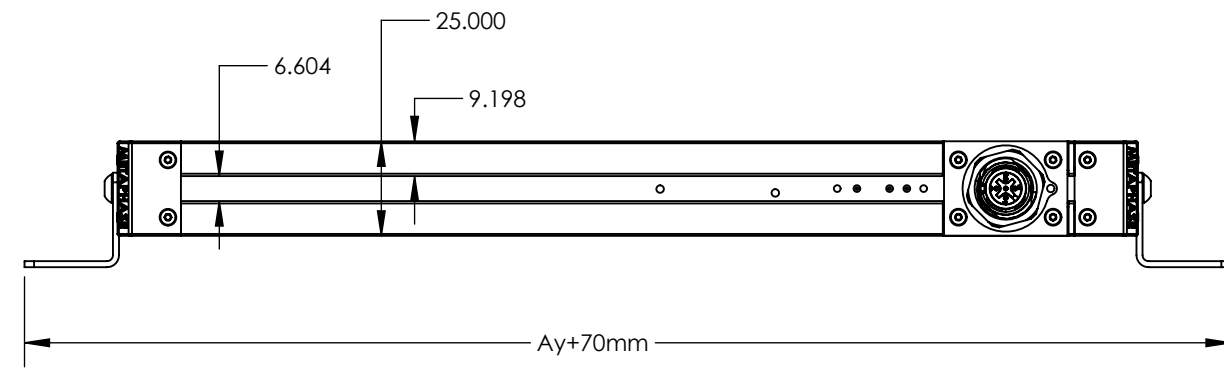
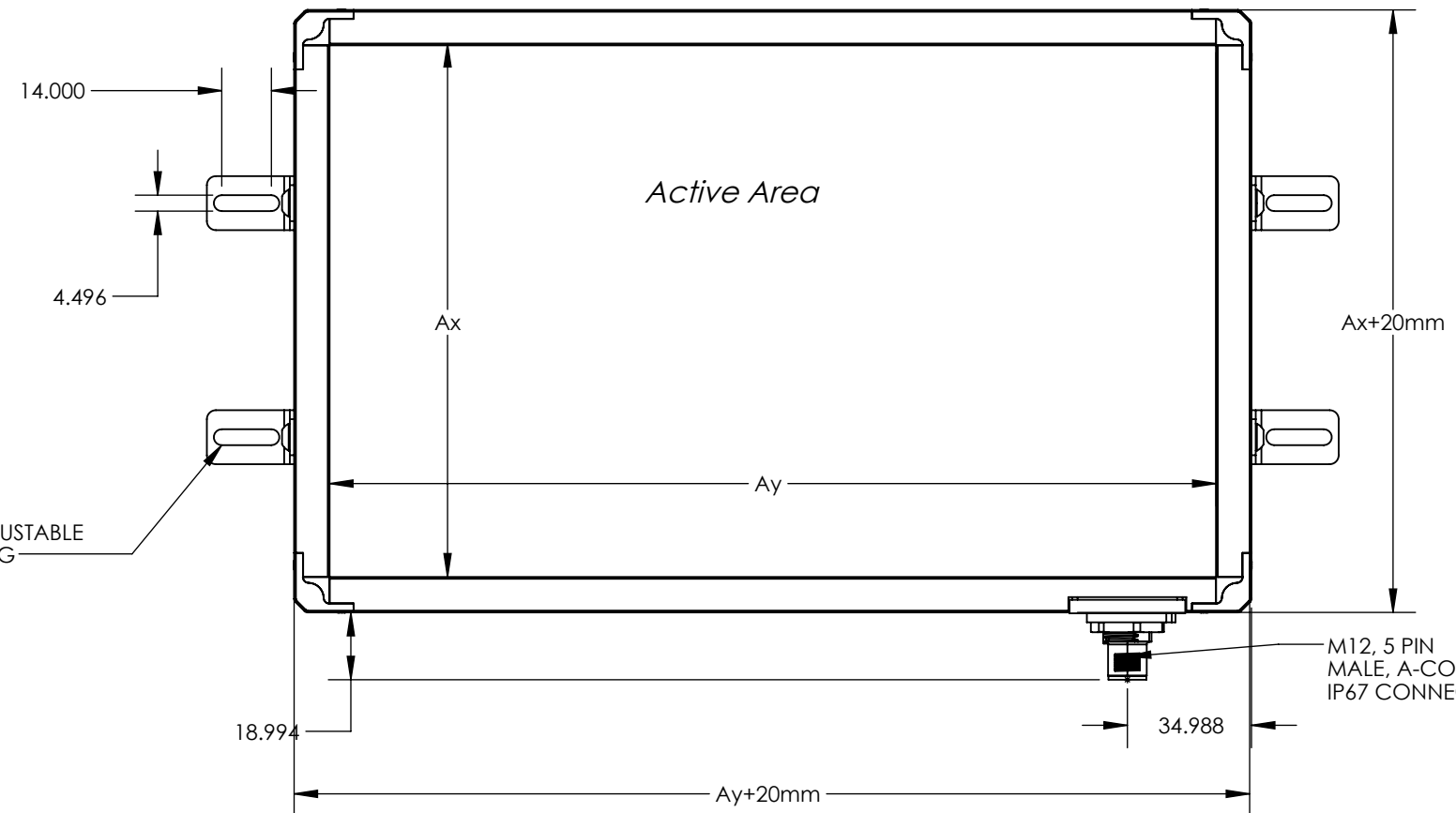


SLIDE ADJUSTABLE MOUNTING



Size Units (XX or YY)	Ax (mm)	Ay (mm)
02	50	50
03	75	75
04	100	100
05	125	125
06	150	150
07	175	175
08	200	200
09	225	225
10	250	250
11	275	275
12	300	300
13	325	350
14	350	350
15	375	375
16	400	400
XX or YY	XX x 25	XX x 25

One unit of measurement = 25mm of active area

Example: TXBL-ASSY-1020
 Length Ax: XX=10 so Ax=10 X 25 = 250mm
 Height Ay: YY=20 so Ay=20 x 25 = 500mm

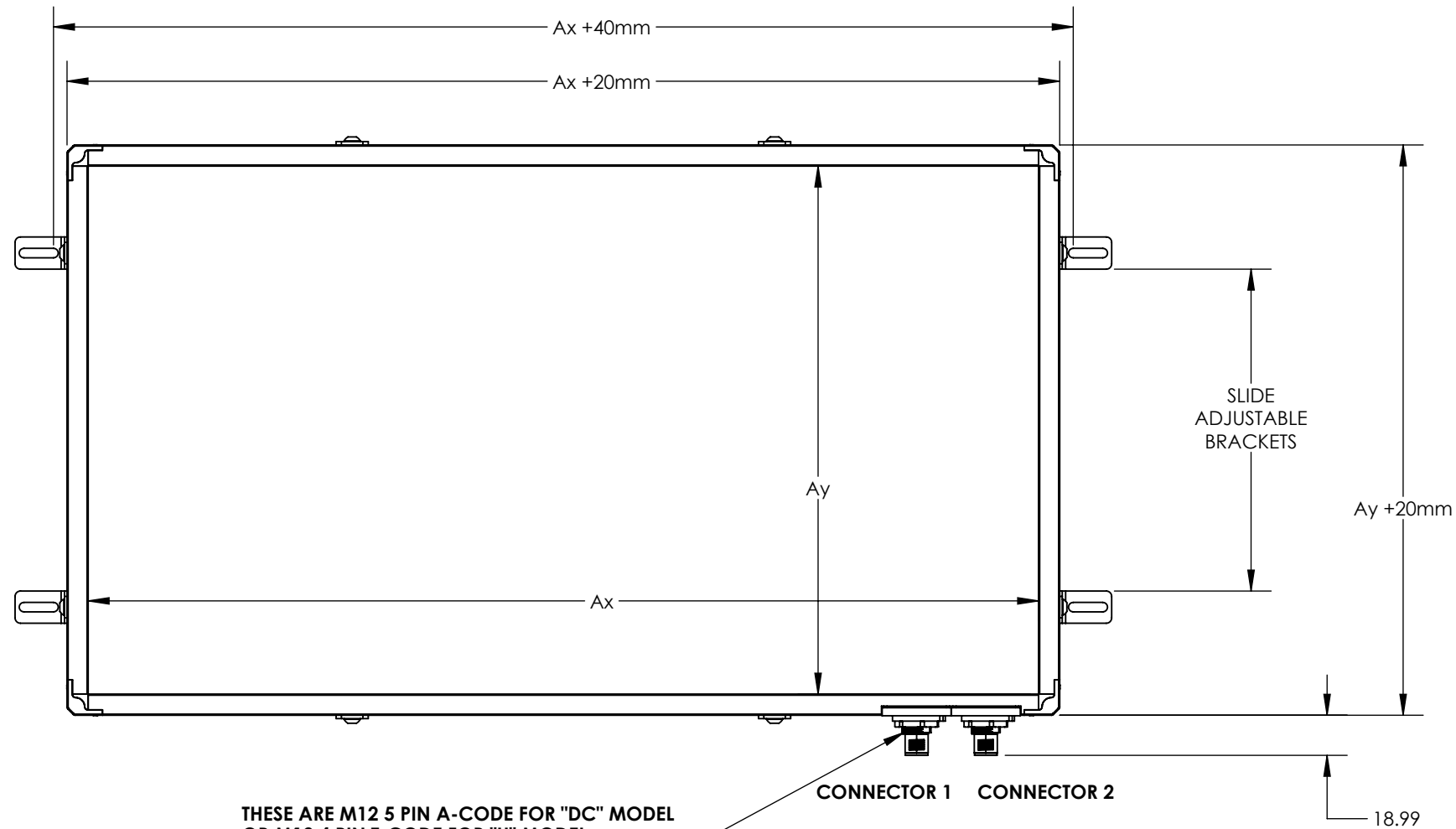
where Total Active Area=Ax x Ay

See sheet 2 for assemblies that require multiple connectors

NOTE: THIS DRAWING PACKET IS FOR REFERENCE ONLY. FOR ACTUAL DIMENSIONS SEE TABLE.

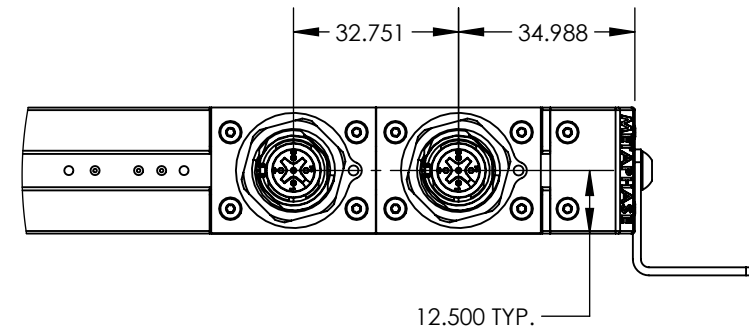
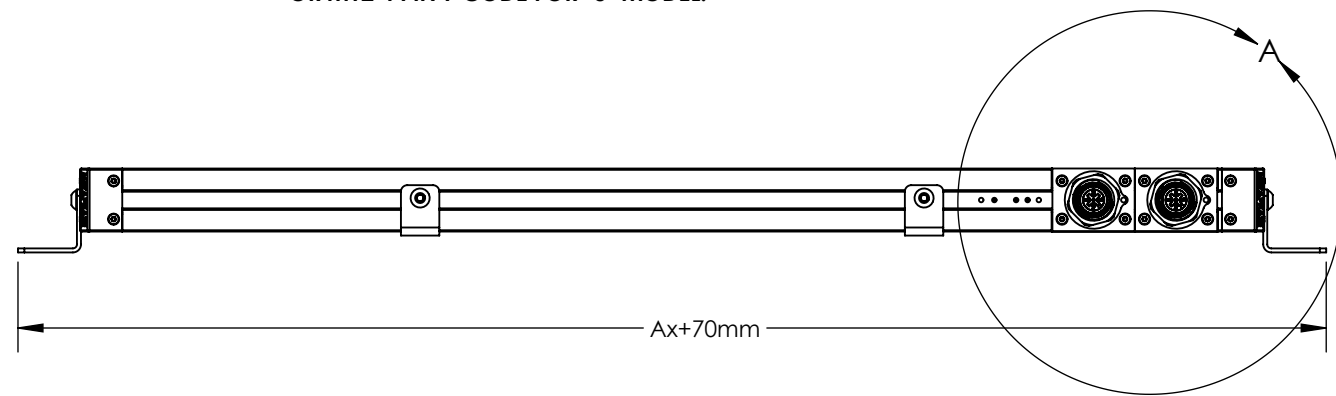
Metaphase Technologies, Inc. 200 Rittenhouse Circle, West Building Unit 7, Bristol, PA. 19007 215-639-8699 Fax 215-639-0977			
QUANTITY:	PER CUSTOMER	TOLERANCE / FINISH UNLESS OTHERWISE SPECIFIED INCHES [MM] 125V RMS [RA3.2um] X .X .XX .XXX ANGES ±1° [±.76] ±.030 [±.25] ±.010 [±.13] ±.005	
MATERIAL:	N/A		
FINISH:	N/A		
TREATMENT:	N/A		
THIS DOCUMENT IS THE PROPERTY OF METAPHASE TECHNOLOGIES, INC. WHOM MAY LOAN IT, SUBJECT TO RETURN UPON DEMAND. IT INCLUDES CONFIDENTIAL & PROPRIETARY INFORMATION WHICH MAY NOT BE DISCLOSED TO ANY THIRD PARTY, AND/ OR USED FOR ANY PURPOSE CONTRARY TO IT'S INTENDED USE, WITHOUT THE EXPRESSED PRIOR WRITTEN CONSENT OF METAPHASE TECHNOLOGIES, INC.		TITLE	TOP ASSY; TX BACKLIGHT
		USED ON	PER CUSTOMER
		SIZE	DRAWING NUMBER
B	TXBLXYYY	A	
Approval Signature		Date	
		SCALE 1:2	SHEET 1 OF 3

Multiple Connector Assembly



THESE ARE M12 5 PIN A-CODE FOR "DC" MODEL OR M12 4 PIN T-CODE FOR "U" MODEL.

CONNECTOR 1 CONNECTOR 2



The center of each additional connector will be spaced 32.751mm apart.

DETAIL A
SCALE 2 : 3

Metaphase Technologies, Inc. 200 Rittenhouse Circle, West Building Unit 7, Bristol, PA. 19007 215-639-8699 Fax 215-639-0977



TOLERANCE/FINISH UNLESS OTHERWISE SPECIFIED				
INCHES[MM]				125√RMS [RA3.2um]
X	.X	.XX	.XXX	
[±.76]	±.030 [±.25]	±.010 [±.13]	±.005	ANGLES ±1°
FLAT PATTERNS USE 0.5 K FACTOR FOR DESIGN REFERENCE ONLY. ACTUAL VALUE MAY VARY, USE TEST PART AS REQ'D TO VERIFY ACCURACY				

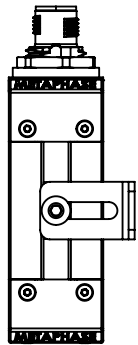
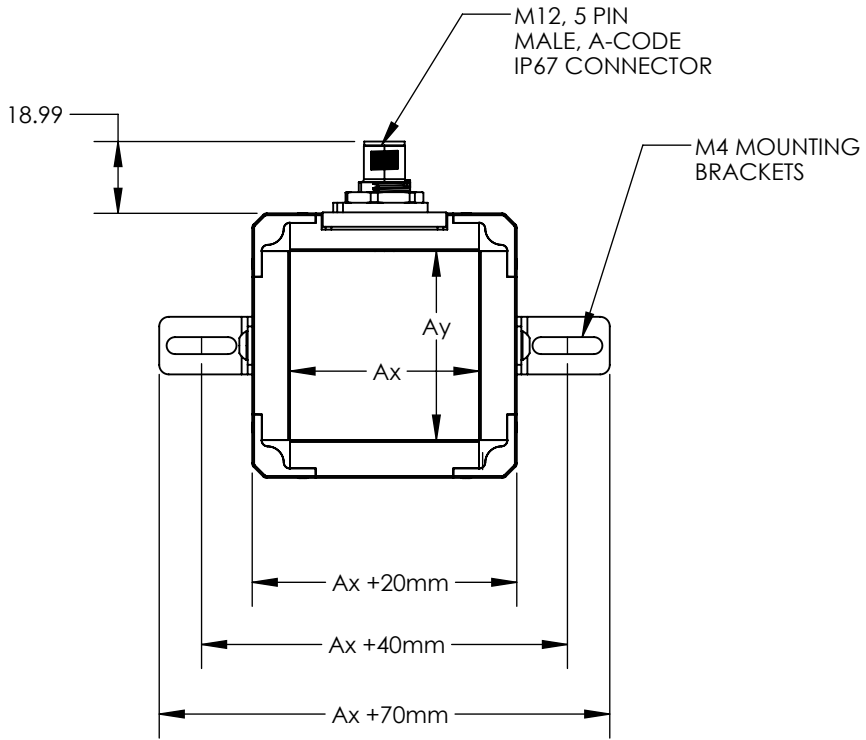
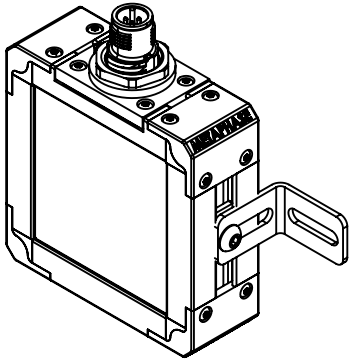
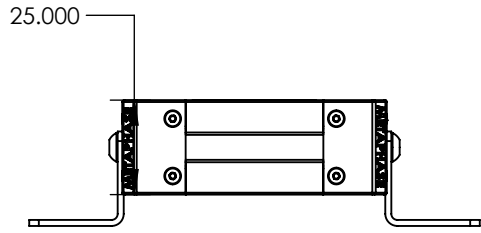
THIS DOCUMENT IS THE PROPERTY OF METAPHASE TECHNOLOGIES, INC. WHOM MAY LOAN IT, SUBJECT TO RETURN UPON DEMAND. IT INCLUDES CONFIDENTIAL & PROPRIETARY INFORMATION WHICH MAY NOT BE DISCLOSED TO ANY THIRD PARTY, AND/ OR USED FOR ANY PURPOSE CONTRARY TO IT'S INTENDED USE, WITHOUT THE EXPRESSED PRIOR WRITTEN CONSENT OF METAPHASE TECHNOLOGIES, INC.

TITLE
TOP ASSY; TX BACKLIGHT

USED ON
PER CUSTOMER

SIZE B	DRAWING NUMBER TXBLXXYY	REV A
SCALE 1:3	SHEET 2 OF 3	

PART NUMBER	Ax (mm)	Ay (mm)
TXBL-ASSY-0202	50	50



Metaphase Technologies, Inc. 211 Sinclair Road, Suite 100,
Bristol, PA. 19007 215-639-8699 Fax 215-639-0977



TOLERANCE/FINISH UNLESS OTHERWISE SPECIFIED				
INCHES[MM]				125√RMS [RA3.2um]
X	.X	.XX	.XXX	
[±.76]	±.030 [±.25]	±.010 [±.13]	±.005	ANGLES ±1°
FLAT PATTERNS USE 0.5 K FACTOR FOR DESIGN REFERENCE ONLY. ACTUAL VALUE MAY VARY, USE TEST PART AS REQ'D TO VERIFY ACCURACY				

THIS DOCUMENT IS THE PROPERTY OF METAPHASE TECHNOLOGIES, INC. WHOM MAY LOAN IT, SUBJECT TO RETURN UPON DEMAND. IT INCLUDES CONFIDENTIAL & PROPRIETARY INFORMATION WHICH MAY NOT BE DISCLOSED TO ANY THIRD PARTY, AND/ OR USED FOR ANY PURPOSE CONTRARY TO IT'S INTENDED USE, WITHOUT THE EXPRESSED PRIOR WRITTEN CONSENT OF METAPHASE TECHNOLOGIES, INC.

TITLE
TOP ASSY; TX BACKLIGHT

USED ON
PER CUSTOMER

SIZE B	DRAWING NUMBER TXBLXXYY	REV A
SCALE 1:2	SHEET 3 OF 3	