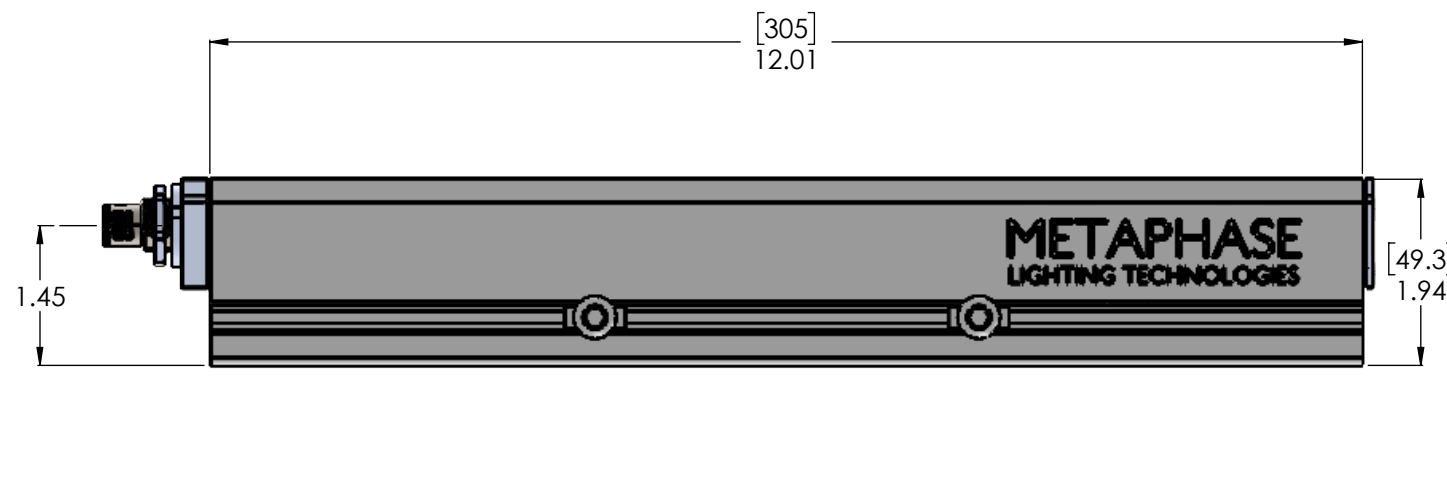
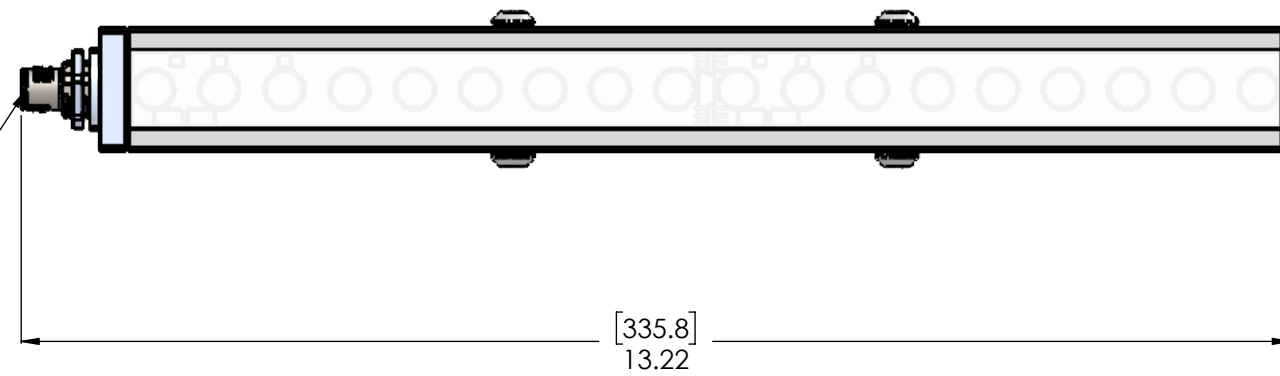


REVISIONS

REV.	DESCRIPTION	DATE	APPROVED
A	INITIAL RELEASE	1/28/2022	NK

CONNECTOR MALE M12



NOTES:

1. ALL DIMENSIONS ARE REFERENCE.

Metaphase Technologies, Inc. 200 Rittenhouse Circle, Unit 7, Bristol, PA. 19007 215-639-8699 Fax 215-639-0977



QUANTITY:

MATERIAL:

FINISH:

TREATMENT: N/A

TOLERANCE/FINISH
UNLESS OTHERWISE SPECIFIED

INCHES [MM]				125√RMS [RA3.2um]
X	.X	.XX	.XXX	ANGLES ±1°
[±.76]	±.030 [±.25]	±.010 [±.13]	±.005	

THIS DOCUMENT IS THE PROPERTY OF METAPHASE TECHNOLOGIES, INC. WHOM MAY LOAN IT, SUBJECT TO RETURN UPON DEMAND. IT INCLUDES CONFIDENTIAL & PROPRIETARY INFORMATION WHICH MAY NOT BE DISCLOSED TO ANY THIRD PARTY, AND/ OR USED FOR ANY PURPOSE CONTRARY TO IT'S INTENDED USE, WITHOUT THE EXPRESSED PRIOR WRITTEN CONSENT OF METAPHASE TECHNOLOGIES, INC.

TITLE
**ASSY, TXBAR12S
SINGLE CONNECTOR**

USED ON
PER CUSTOMER

SIZE **B** DRAWING NUMBER **TXBAR12S** REV **A**

SCALE 1 : 2 SHEET 1 OF 2

Approval Signature

/ /
Date