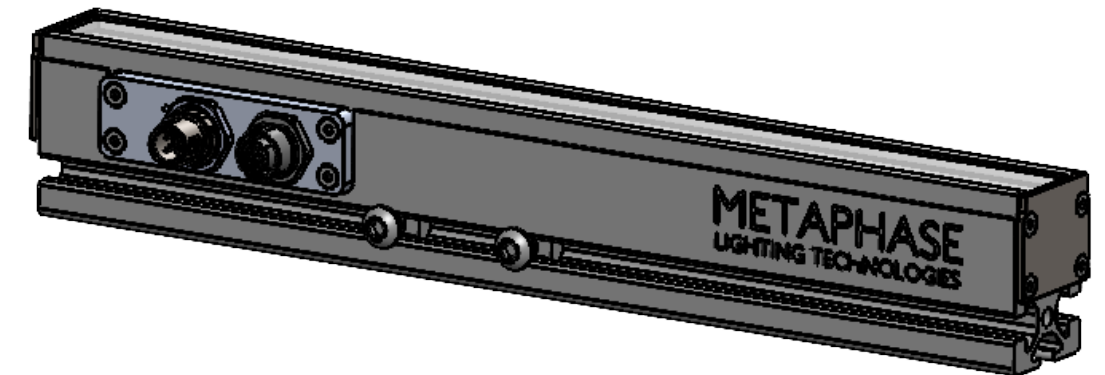
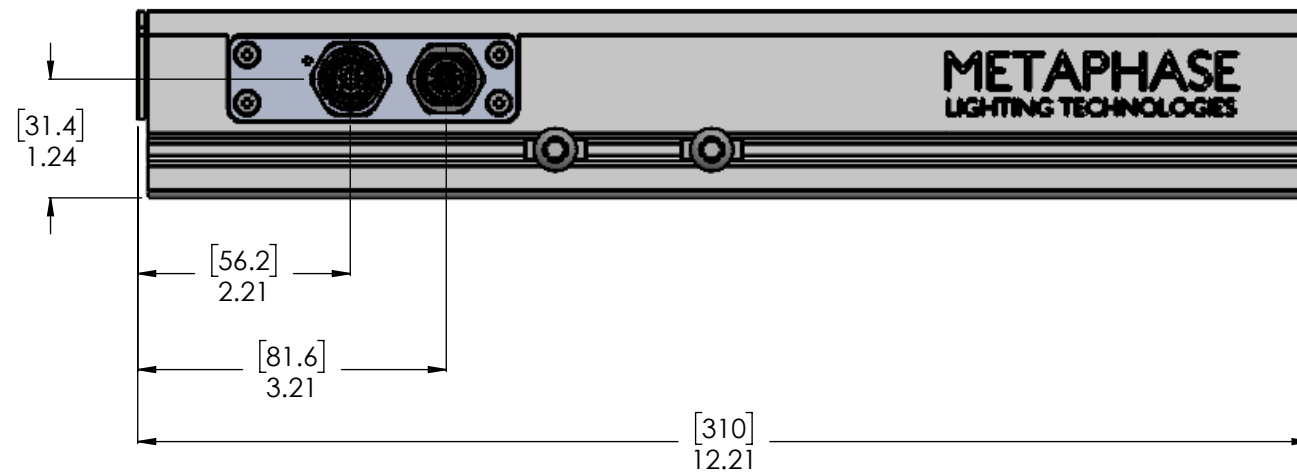
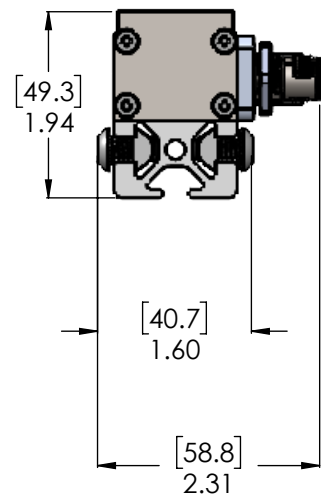


REVISIONS			
REV.	DESCRIPTION	DATE	APPROVED
A	INITIAL RELEASE	2/14/2022	NK



NOTES:

1. ALL DIMENSIONS ARE REFERENCE.

Metaphase Technologies, Inc. 200 Rittenhouse Circle, Unit 7, Bristol, PA. 19007 215-639-8699 Fax 215-639-0977



QUANTITY: Per order

TOLERANCE/FINISH
UNLESS OTHERWISE SPECIFIED

THIS DOCUMENT IS THE PROPERTY OF METAPHASE TECHNOLOGIES, INC. WHOM MAY LOAN IT, SUBJECT TO RETURN UPON DEMAND. IT INCLUDES CONFIDENTIAL & PROPRIETARY INFORMATION WHICH MAY NOT BE DISCLOSED TO ANY THIRD PARTY, AND/ OR USED FOR ANY PURPOSE CONTRARY TO IT'S INTENDED USE, WITHOUT THE EXPRESSED PRIOR WRITTEN CONSENT OF METAPHASE TECHNOLOGIES, INC.

TITLE
ASSY, TXBAR12A LIGHT

MATERIAL: PER BOM

INCHES [MM]				125√RMS [RA3.2um]
X	.X	.XX	.XXX	
[±.76]	±.030 [±.25]	±.010 [±.13]	±.005	ANGLES ±1°

USED ON
PER CUSTOMER

FINISH: AS PER COMPONENTS SPEC.

SIZE B DRAWING NUMBER TXBAR12A REV A

TREATMENT: N/A

SCALE 1 : 2 SHEET 1 OF 2

Approval Signature

/ /
Date