

# Flood Lights

## MB-FLD

This economical multi-watt LED front light is designed for flooding large areas and mimics the diffused output of a screw base PAR38 halogen flood light. Working distances can vary from 6 to 18 feet or more depending on the amount of light needed. This flood light is extremely bright and emits white light at 600,000 Lux. Features include a unitized alloy body thermally potted for longevity.



### FEATURES

- High power flood light
- Rugged design
- LED thermal management for stable performance
- Strobe and dimming options available
- Flicker free performance and instant start up with Metaphase analog driver technology
- Ideal for motion/sports analysis and other large area illumination applications
- Optional Constant Current Driver with 0 – 10VDC intensity control, compatible with DDC-3 and ILD-35

### WAVELENGTHS

| Order ID | Description / nanometers  |
|----------|---------------------------|
| W        | White (6000K), Nominal    |
| R        | Red / 630nm               |
| G        | Green / 530nm             |
| B        | Blue / 470nm              |
| IR850    | Infrared / 850nm          |
| IR880    | Infrared / 880nm          |
| IR940    | Infrared / 940nm          |
| UV365    | Ultraviolet Short / 365nm |
| UV395    | Ultraviolet Long / 395nm  |
| RGB      | Red-Green-Blue            |

### GENERAL SPECIFICATIONS

|                             |                                 |
|-----------------------------|---------------------------------|
| <b>Power Source:</b>        | 24VDC ±5%                       |
| <b>Cable (Standard):</b>    | 10-foot cable with flying leads |
| <b>Housing:</b>             | Black Anodized Aluminum         |
| <b>Ambient Temp:</b>        | -20°C to 40°C                   |
| <b>Lifetime Expectancy:</b> | 75,000 hours (except UV)        |

Flood Lights

MB-FLD

| FLOOD LIGHTS |  |                             |                 |           |              |                       |                              |
|--------------|--|-----------------------------|-----------------|-----------|--------------|-----------------------|------------------------------|
| MODEL        | All models: H = 2.82 inches (7.2cm)<br><br>Overall Width and Length<br>Inches (cm) | Active Area Inches (cm)     | Weight lbs / kg | Cable QTY | Cable Length | Cable Description     | Maximum Input Current @24VDC |
| MB-FLD406    | 3.75 x 8.28 (9.52 x 21.0)  | 2.88 x 6.78 (7.30 x 17.2)   | 2.8 / 1.28      | 1         | 10ft         | 18 AWG<br>4 Conductor | 1.3 amps                     |
| MB-FLD806    | 3.75 x 15.06 (9.52 x 38.25)  | 2.88 x 13.56 (7.30 x 34.44) | 5.2 / 2.34      |           |              |                       | 2.8 amps                     |
|              |  |                             |                 |           |              |                       |                              |

| Wiring (4 conductors, flying leads)** |                           |
|---------------------------------------|---------------------------|
| Wire Color                            | Function                  |
| RED                                   | +24VDC                    |
| WHITE                                 | 0-10VDC INTENSITY CONTROL |
| BLACK                                 | GROUND (24V RTN)          |
| GREEN                                 | SIGNAL GROUND             |

| Wiring (4 conductors, without Intensity Control) |                  |
|--|------------------|
| Wire Color                                       | Function         |
| RED  | +24VDC           |
| WHITE  | +24VDC           |
| BLACK  | GROUND (24V RTN) |
| GREEN  | GROUND (24V RTN) |

| M12 (5 position male)** |                           |
|-------------------------|---------------------------|
| Pin #                   | Function                  |
| 1                       | +24VDC                    |
| 2                       | 0-10VDC Intensity Control |
| 3                       | GROUND (24V RTN)          |
| 4                       | SIGNAL GROUND             |
| 5                       | No Connection             |

The M12 connector option is not recommended for lights rated more than 4 amps

| Wiring with ULC-2 |           |
|-------------------|-----------|
| Wire Color        | Function  |
| RED, WHITE (+)    | LED INPUT |
| BLACK, GREEN (-)  |           |

Terminated within a 2 position ULC-2 output connector (Phoenix Contact P/N: BCP-508-2)

\*\*Note: The 0-10VDC Intensity Control input can accept voltages from 0-24VDC where the light will operate at full intensity in the 10-24VDC range. The light is proportionally dimmer for any Intensity Control voltage less than 10VDC and the light is OFF at approximately 0V or not connected (floating).

**MB-FLD**

| PART NUMBER KEY  |   |   |  |   |  |   |  |   |   |   |   |   |  |
|--|---|---|--|---|--|---|--|---|---|---|---|---|--|
| MODEL  | SIZE                                    | - | WAVELENGTH   | - | DRIVER*<br>(most common)   | - | LENS   | - | DIFFUSER  | - | CABLE LENGTH  | - | CONN.**<br>(most Common)   |
| MB-FLD   | XXX                                     | - | XXXXX  | - | XXXXX  | - | XXX  | - | XX  | - | XXX   | - | XXXX   |
| <b>MB-FLD</b>  | <b>406</b> (6.5")<br><b>806</b> (13.0") |   | <b>W</b> (White 6000K, Nominal)<br><b>R</b> (Red 630nm)<br><b>G</b> (Green 530nm)<br><b>B</b> (Blue 470nm)<br><b>IR850</b> (Infrared 850nm)<br><b>IR880</b> (Infrared 880nm)<br><b>IR940</b> (Infrared 940nm)<br><b>UV365</b> (UV Short 365nm)<br><b>UV395</b> (UV Long 395nm)<br><b>RGB</b> |   | <b>24Z</b><br><b>24Z-TRG</b><br><b>24-ILD</b><br><b>U</b> <sup>1</sup> |   | <b>L11</b> (11°)<br><br><br><br><br><br><br><br><br><br><br>Select or leave blank for 30° lens   |   | <b>CC</b> (Clear Cover)<br><b>D2</b> (Single Matte)<br><b>D3</b> (TIR/SLK)<br><b>D4</b> (Milky White)<br><b>D5</b> (Double Matte)<br><br><br><br><br><br>Select one |   | <b>5M</b><br><b>10M</b><br><br><br><br><br><br><br><br><br><br>Length can be customized:<br>ex.7M=7meters<br><br><br>Select or leave blank for 3 meters |   | <b>M12D</b> <sup>1 2</sup><br><b>BC</b> <sup>1 3</sup><br><br><br><br><br><br><br><br><br><br>Select or leave blank for flying leads |
| Example 1: <b>MB-FLD406-W-24Z-CC</b><br>Example 2: <b>MB-FLD806-W-24-ILD-CC-5M</b> |   |   |  |   |  |   | <sup>1</sup> Not available in lights exceeding 4A input current<br><sup>2</sup> Default cable length for an M12D connector is 19 inches<br><sup>3</sup> Default cable length for a Barrel Connector is 10 feet |   |   |   |   |   |  |

Contact Metaphase Technologies or your local representative for options such as custom diffusers, lenses, polarizers, IP-rated enclosures for harsh environments, higher intensity, custom wavelengths, higher uniformity, etc. Not all options are available for all lights.

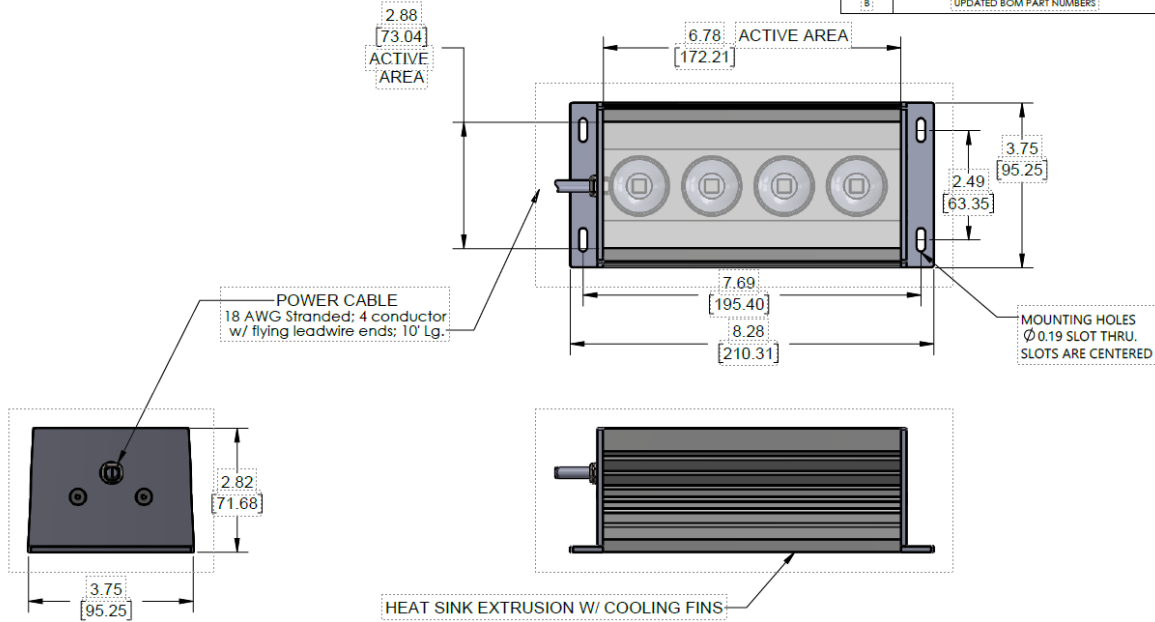
\*(Link to Driver Options Key)

\*\*\*(Link to Connector Key)

**MB-FLD**

Sample Model Number: **MB-FLD406-W-24Z**

| REVISIONS |                          |           |          |
|-----------|--------------------------|-----------|----------|
| REV.      | DESCRIPTION              | DATE      | APPROVED |
| A         | INITIAL RELEASE          | 7/15/2016 |          |
| B         | UPDATED BOM PART NUMBERS | 6/13/2019 |          |



**COMPLIANCE**



**CONTACT US**

Contact Metaphase Technologies at **215-639-8699** or your local representative for additional details, options and customizations.